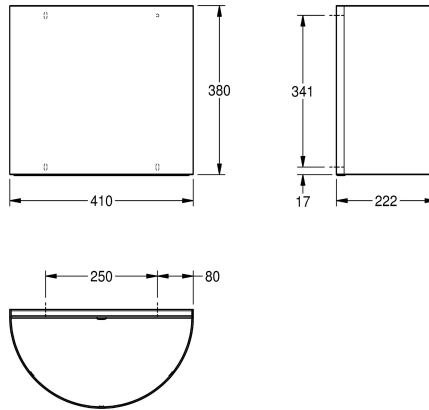


KWC Waste bin

Modell-Linie: ACCESSOIRES | BS610
Accessories | Waste bins



KWC-No.

2000056825

Dimensions 410 x 380 x 222 mm (W x H x D)

Waste bin for wall mounting, stainless steel, surface satin finished, material thickness 1.2 mm, with a 180° radius front and perforated facia pattern, cylinder lock with KWC standard key, approx. 22 liter

capacity, includes stainless steel screws and dowels.

Dimensions 410 x 380 x 222 mm (W x H x D)

Technical Data

bag holder
filling volume
lid
lock
material
material code
material thickness
overall depth
overall height
overall width
surface finish
type of fixing
type of mounting

No
23 Liter
No
key-lock
stainless steel
1.4301 Chrome Nickel steel V2A
1.2 mm
222 mm
380 mm
410 mm
satin finished
screw
wall mounting