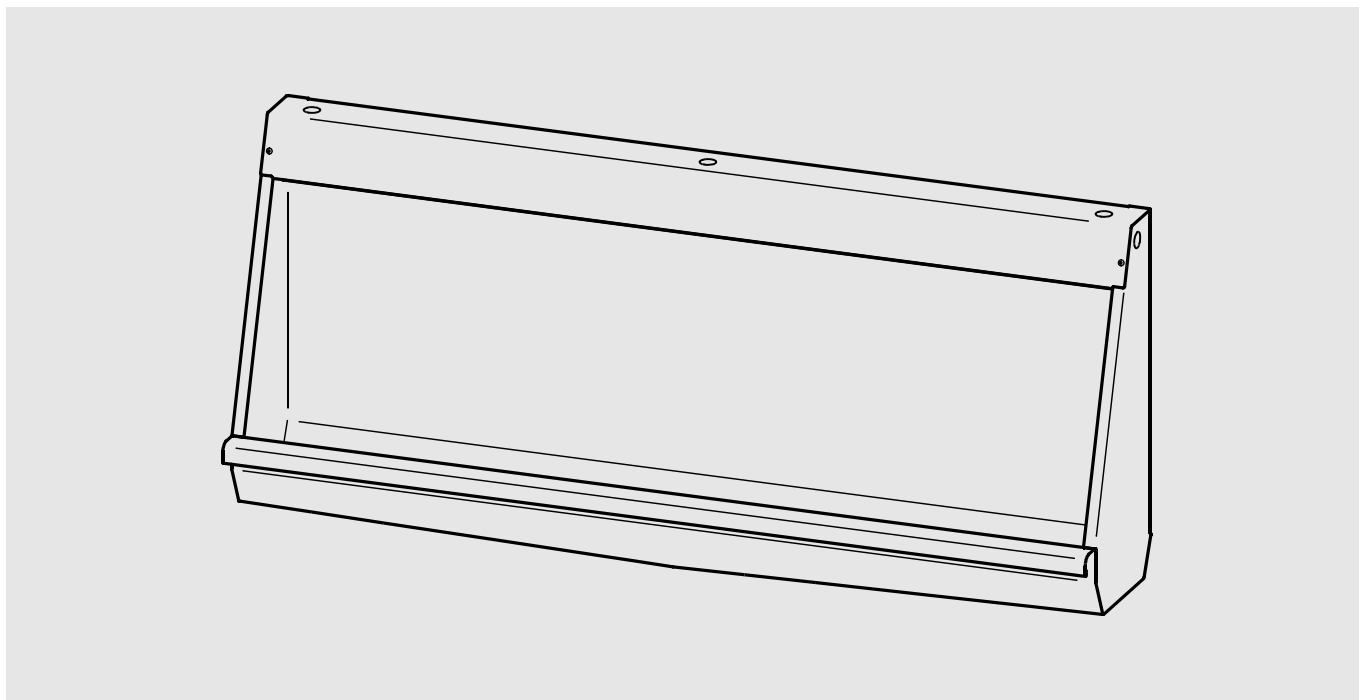


# CAMPUS



DE	Montage- und Betriebsanleitung	Reihenurial
EN	Installation and operating instructions	Slab urinal
FR	Notice de montage et de mise en service	Urinoir rigole pour alimentatio
ES	Instrucciones de montaje y servicio	Urinario colectivo
IT	Istruzioni per il montaggio e l'uso	Orinatoio multiplo
NL	Montage- en bedrijfsinstructies	Serie-urinoirs
PL	Instrukcja montażu i obsługi	Pisuar rynnowy
SV	Monterings- och driftinstruktion	
CS	Návod pro montáž a provoz	Žlabový pisoár
FI	Asennus- ja käyttöohje	Kouru-urinaali
RU	Инструкция по монтажу и вводу в эксплуатацию	

**CMPX551**  
200056957

**CMPX552**  
200056967

**CMPX553**  
200056969

**CMPX554**  
200056970

**CMPX555**  
200056971

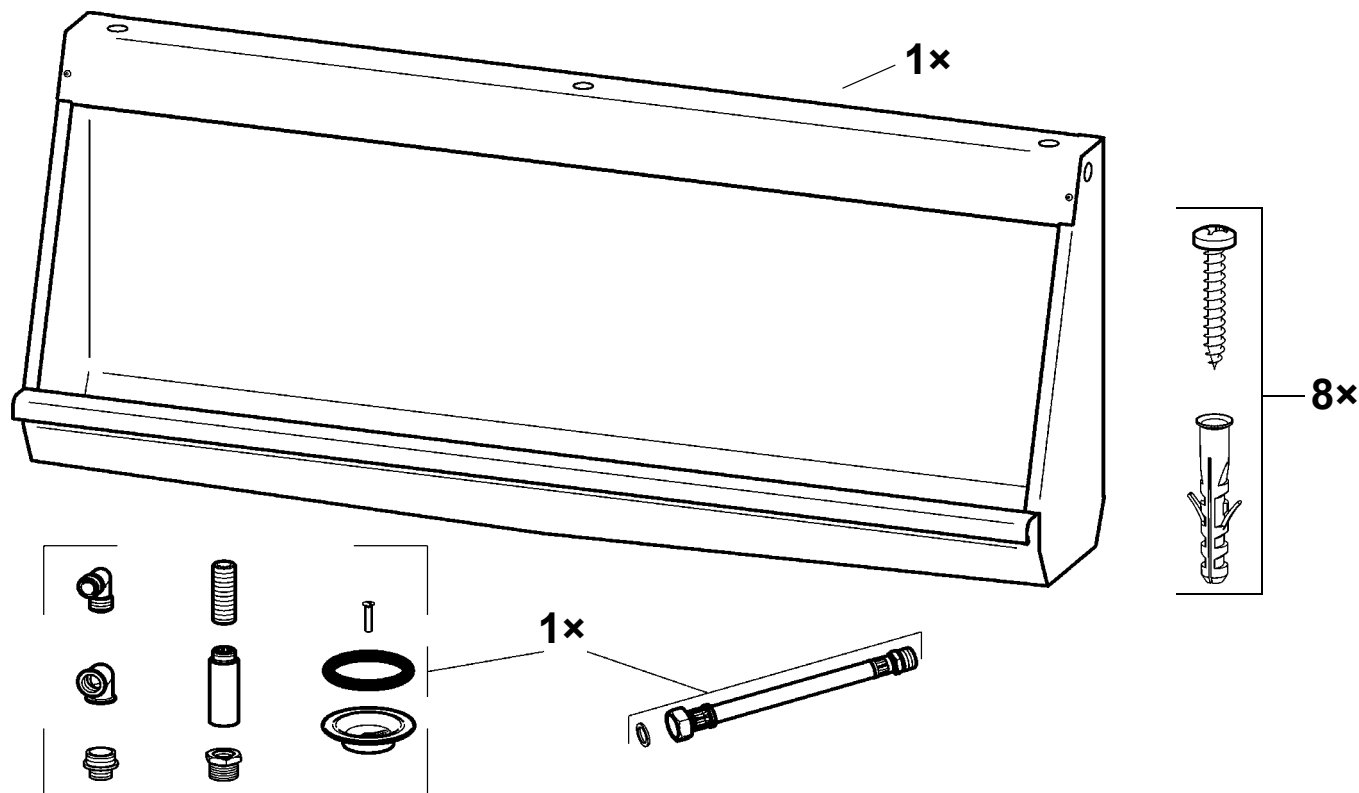
**CMPX551G**  
200010112

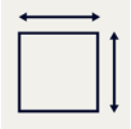
**CMPX552G**  
200010113

**CMPX553G**  
200010114

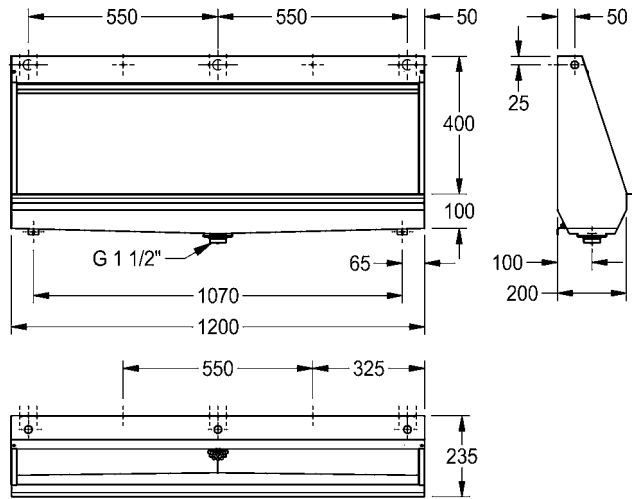
**CMPX554G**  
200010115

**CMPX555G**  
200010116

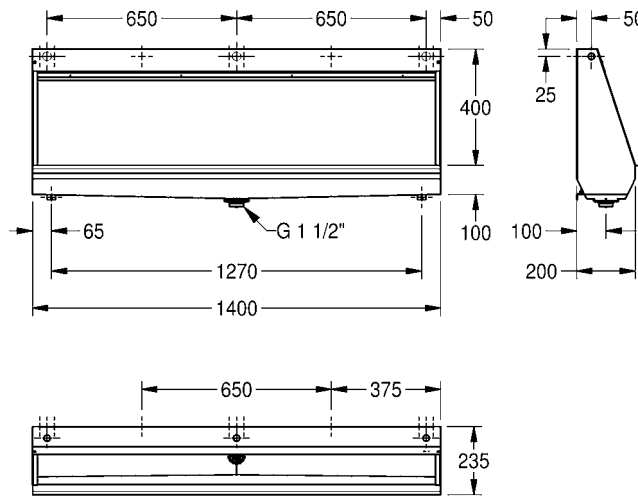




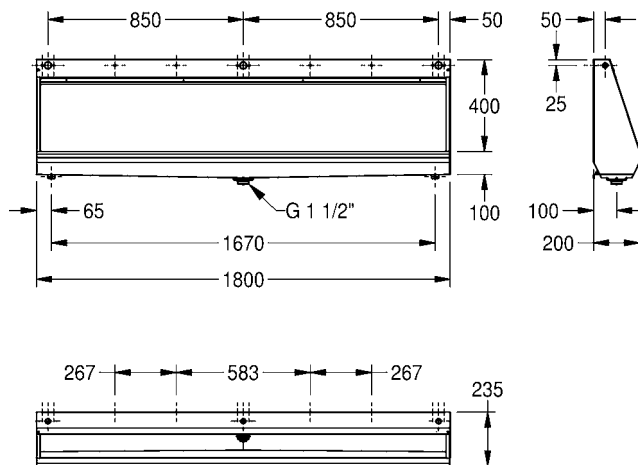
**CMPX551, CMPX551G**

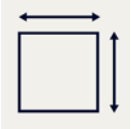


**CMPX552, CMPX552G**

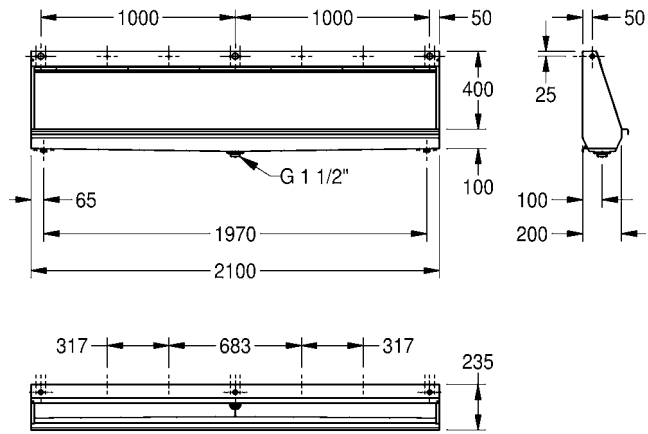


**CMPX553, CMPX553G**

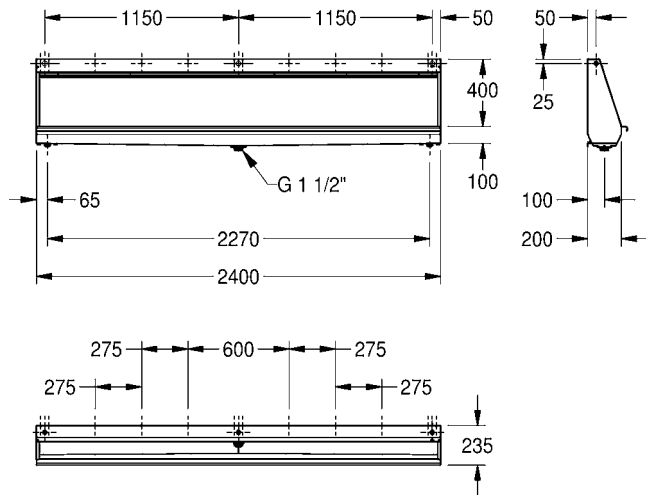




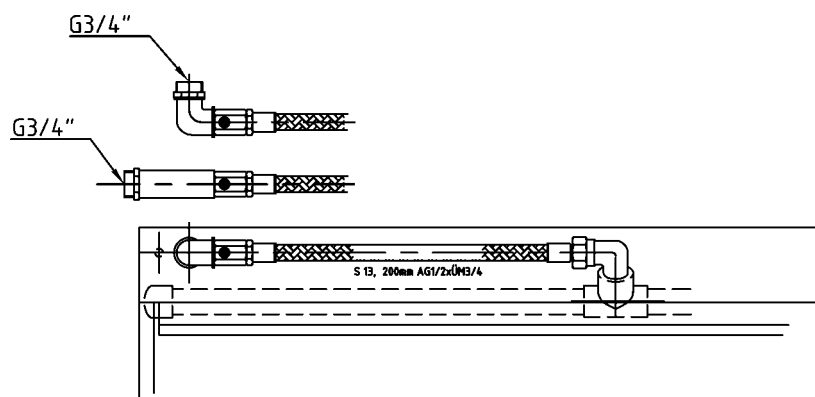
**CMPX554, CMPX554G**

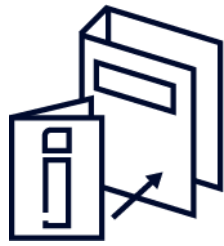
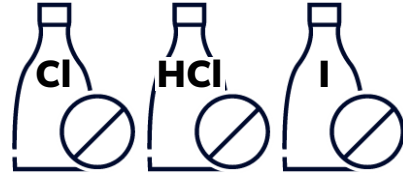


**CMPX555, CMPX555G**



**CMPX551, CMPX552, CMPX553, CMPX554, CMPX555  
CMPX551G, CMPX552G, CMPX553G, CMPX554G, CMPX555G**





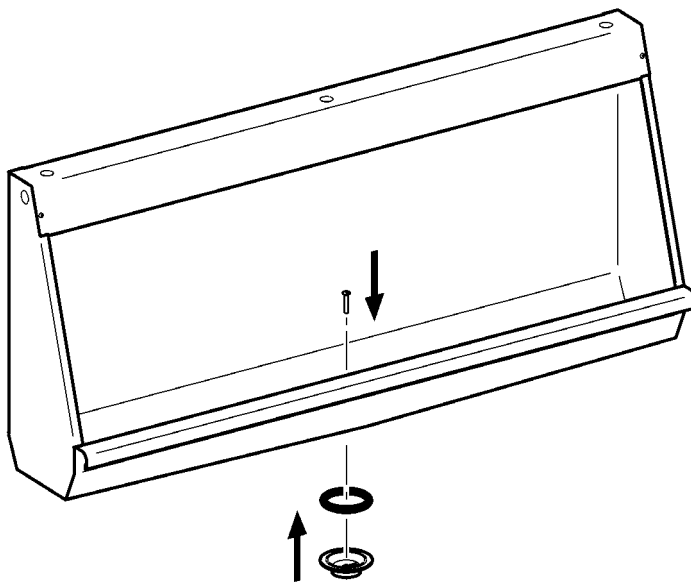
## 1. Montage

EN Installation  
FR Montage  
ES Montaje  
IT Montaggio

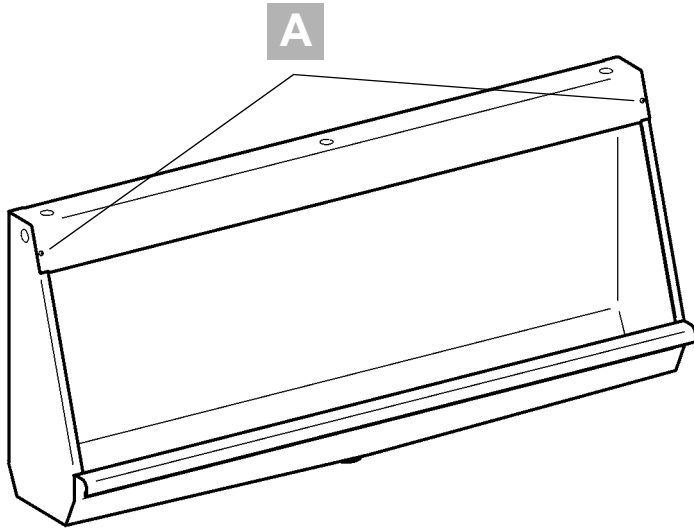
NL Montage  
PL Montaż  
SV Montering

CS Montáž  
FI Asennus  
RU Монтаж

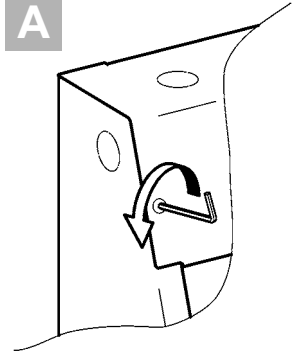
1



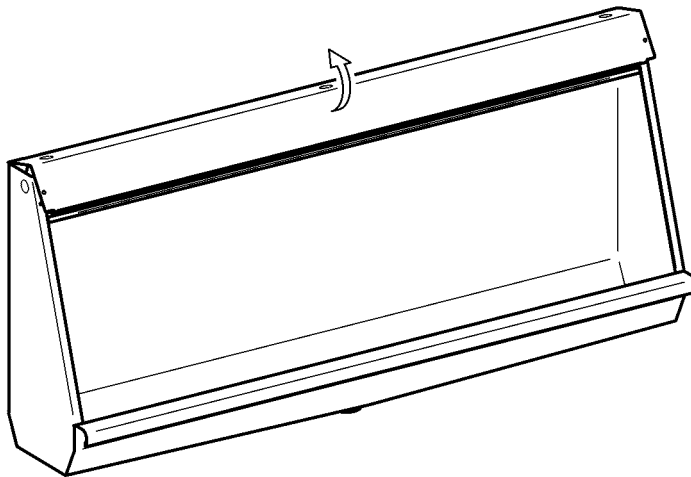
2



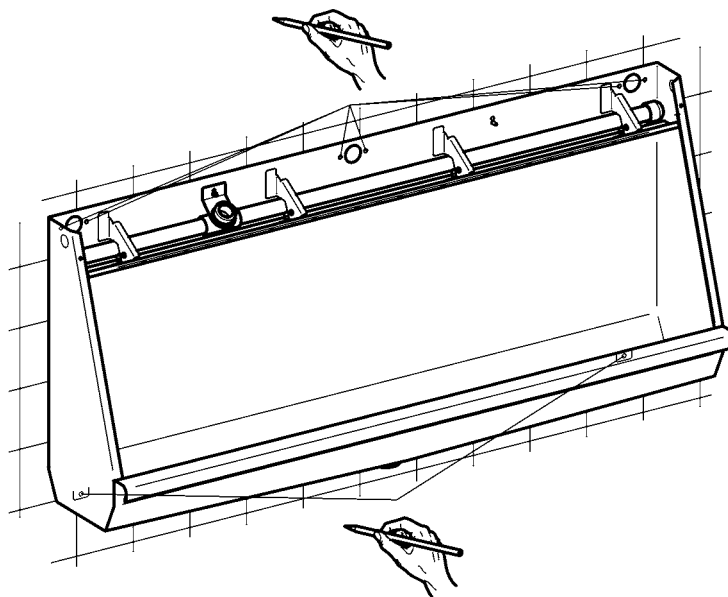
A



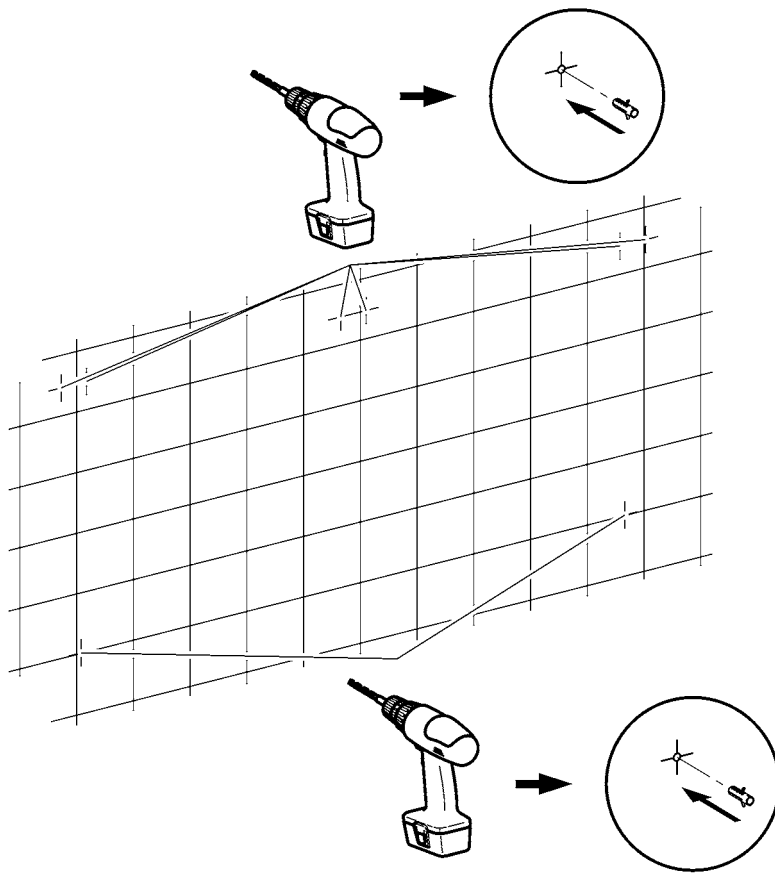
3



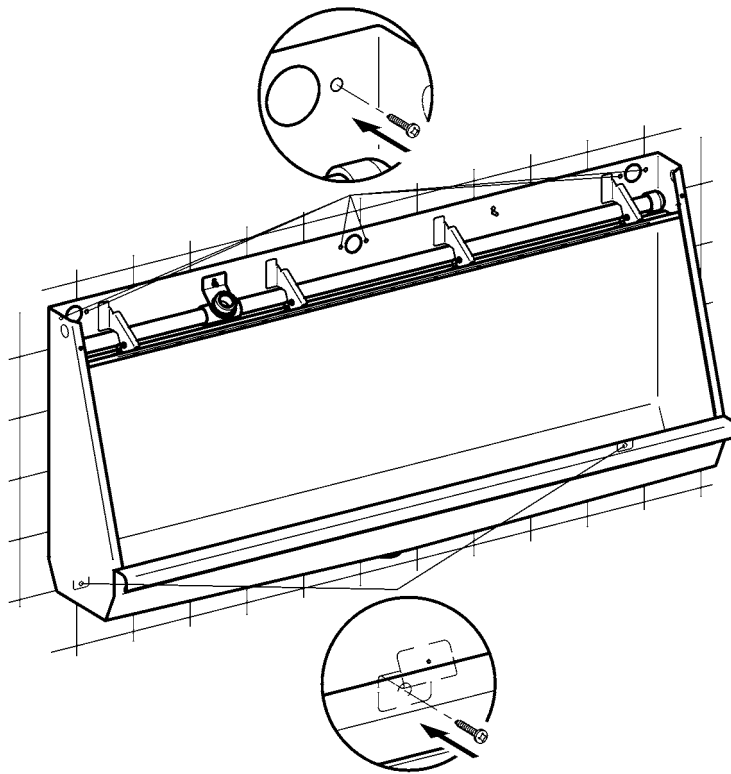
4

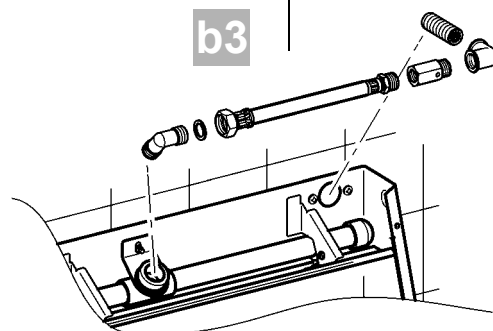
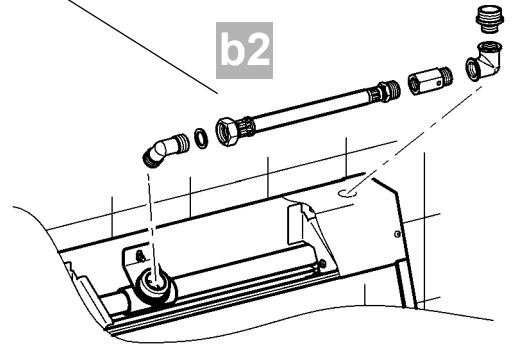
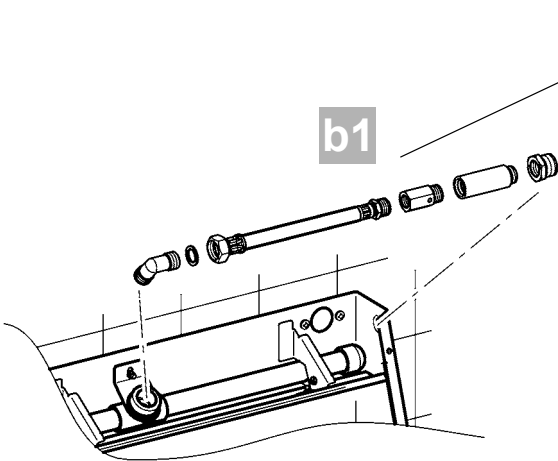
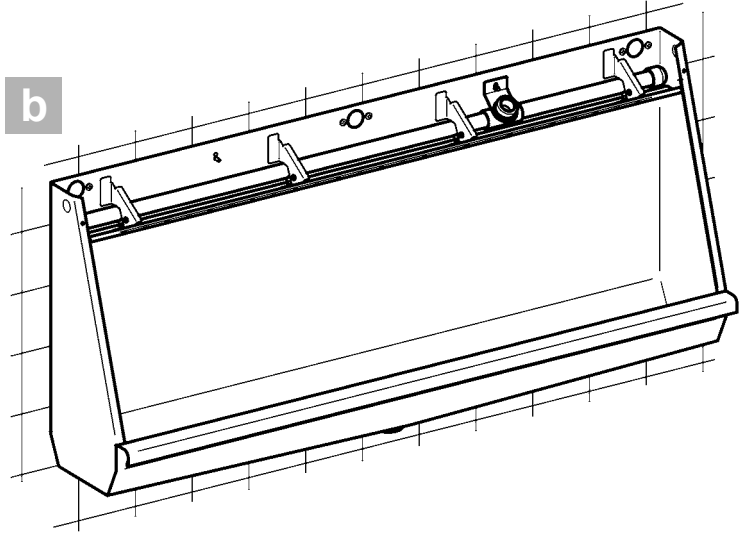
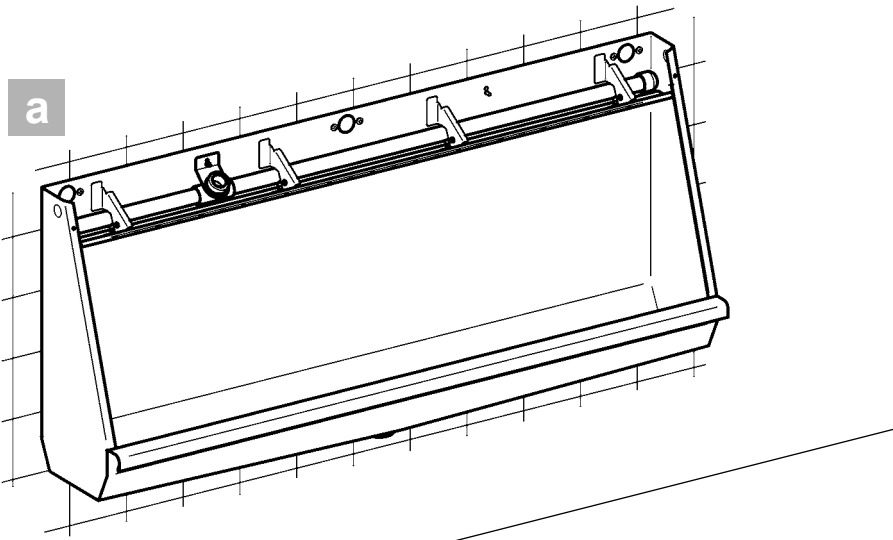


5



6







## Notizen

---

EN Notes

FR Notes

ES Notas

IT Annotazioni

NL Notities

PL Uwagi

SV Notiser

CS Poznámky

FI Muistiinpanot

RU Примечания

## Notizen

---

EN Notes

FR Notes

ES Notas

IT Annotazioni

NL Notities

PL Uwagi

SV Notiser

CS Poznámky

FI Muistiinpanot

RU Примечания

## Notizen

---

EN Notes

FR Notes

ES Notas

IT Annotazioni

NL Notities

PL Uwagi

SV Notiser

CS Poznámky

FI Muistiinpanot

RU Примечания

**Australia**

PR Kitchen and  
Water Systems Pty Ltd  
Dandenong South VIC 3175  
Phone +61 3 9700 9100

**Austria**

KWC Austria GmbH  
6971 Hard, Austria  
Phone +43 5574 6735 0

**Belgium, Netherlands &  
Luxembourg**

KWC Aquarotter GmbH  
9320 Aalst; Belgium  
Phone +31 (0) 492 728 224

**Czech Republic**

KWC Aquarotter GmbH  
14974 Ludwigsfelde, Germany  
Phone +49 3378 818 309

**France**

KWC Austria GmbH  
6971 Hard, Austria  
Phone +33 800 909 216

**Germany**

KWC Aquarotter GmbH  
14974 Ludwigsfelde  
Phone +49 3378 818 0

**Italy**

KWC Austria GmbH  
6971 Hard, Austria  
Numero Verde +39 800 789 233

**Middle East**

KWC ME LLC Ras Al Khaimah,  
United Arab Emirates  
Phone +971 7 2034 700

**Poland**

KWC Aquarotter GmbH  
14974 Ludwigsfelde, Germany  
Phone +48 58 35 19 700

**Spain**

KWC Austria GmbH  
6971 Hard, Austria  
Phone +43 5574 6735 211

**Switzerland & Liechtenstein**

KWC Group AG  
5726 Unterkulm, Switzerland  
Phone +41 62 768 69 00

**Turkey**

KWC ME LLC Ras Al Khaimah,  
United Arab Emirates  
Phone +971 7 2034 700

**United Kingdom**

KWC DVS Ltd - Northern Office  
Barlborough S43 4PZ  
Phone +44 1246 450 255

KWC DVS Ltd - Southern Office  
Paignton TQ4 7TW  
Phone +44 1803 529 021

**EAST EUROPE**

Bosnia Herzegovina  
Bulgaria | Croatia  
Hungary | Latvia  
Lithuania | Romania  
Russia | Serbia | Slovakia  
Slovenia | Ukraine

KWC Aquarotter GmbH  
14974 Ludwigsfelde, Germany  
Phone +49 3378 818 261

**SCANDINAVIA & ESTONIA**

Finland | Sweden | Norway  
Denmark | Estonia

KWC Nordics Oy  
76850 Naarajärvi, Finland  
Phone +358 15 34 111

**OTHER COUNTRIES**

**KWC Austria GmbH**  
**6971 Hard, Austria**  
**Phone +43 5574 6735 0**

