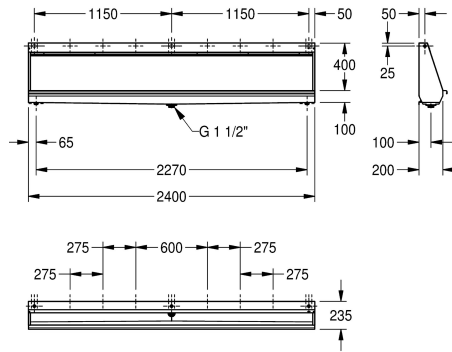


## KWC CAMPUS Slab urinal

Modell-Linie: **CAMPUS | CMPX555**  
WCs and urinals | Trough urinal



### KWC-No.

**2000056957**  
Width 1200 mm

**2000056967**  
Width 1400 mm

**2000056969**  
Width 1800 mm

**2000056971**  
Width 2400 mm

### overall width

1,200 mm

1,400 mm

1,800 mm

2,400 mm

Wall hung slab urinal, stainless steel, surface satin finished, material thickness 1 mm, water inlet can be chosen from top, back or each side with 3/4" connection, included 3/4" flexible hose to connect hidden plastic sparge pipe, complete back wall flushing, included

flow regulator, bowl slanted towards middle, 1 1/2" waste, trap not included, includes wall fixing brackets and mounting set.

Dimensions 2400 x 515 x 235 mm (W x H x D)

### Technical Data

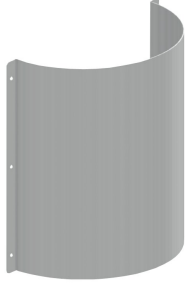
inlet size
material
material code
material thickness
outlet size
overall depth
overall height
overall width
siphon included
surface finish
type of flushing
type of mounting
type of urinal
type of waste kit
water inlet
water outlet

G 3/4 B
stainless steel
1.4301 Chrome Nickel steel V2A
1 mm
G 1 1/2
235 mm
516 mm
2,400 mm
No
satin finished
water flushed
wall mounting
trough urinal
flat perforated waste
concealed
exposed

### Optional Accessories

## KWC CAMPUS Slab urinal

Modell-Linie: **CAMPUS | CMPX555**  
WCs and urinals | Trough urinal



**Slab urinal connector**

**2000101123**  
ZCMPX0008

**CAMPUS Trap cover for slab urinals**

**2000102739**  
ZCMPX0010

**F5 smart urinal sensor**

**2030067530**  
F5EF3008

**F5 smart urinal sensor**

**2030067531**  
F5EF3009