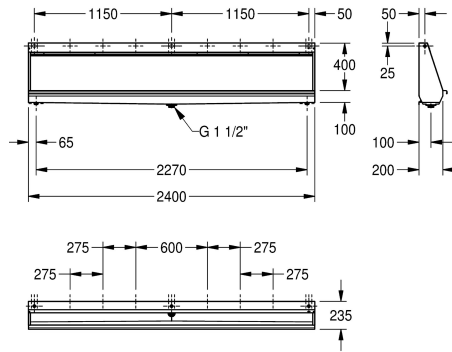


KWC CAMPUS Slab urinal

Modell-Linie: **CAMPUS | CMPX555**
WCs and urinals | Trough urinal



KWC-No.

2000056957
Width 1200 mm

2000056967
Width 1400 mm

2000056969
Width 1800 mm

2000056971
Width 2400 mm

overall width

1,200 mm

1,400 mm

1,800 mm

2,400 mm

Wall hung slab urinal, stainless steel, surface satin finished, material thickness 1 mm, water inlet can be chosen from top, back or each side with 3/4" connection, included 3/4" flexible hose to connect hidden plastic sparge pipe, complete back wall flushing, included

flow regulator, bowl slanted towards middle, 1 1/2" waste, trap not included, includes wall fixing brackets and mounting set.

Dimensions 2400 x 515 x 235 mm (W x H x D)

Technical Data

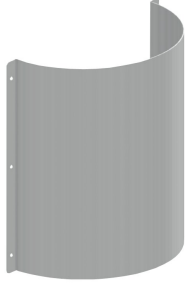
| |
|--------------------|
| inlet size |
| material |
| material code |
| material thickness |
| outlet size |
| overall depth |
| overall height |
| overall width |
| siphon included |
| surface finish |
| type of flushing |
| type of mounting |
| type of urinal |
| type of waste kit |
| water inlet |
| water outlet |

| |
|--------------------------------|
| G 3/4 B |
| stainless steel |
| 1.4301 Chrome Nickel steel V2A |
| 1 mm |
| G 1 1/2 |
| 235 mm |
| 516 mm |
| 2,400 mm |
| no |
| satin finished |
| water flushed |
| wall mounting |
| trough urinal |
| flat perforated waste |
| concealed |
| exposed |

Optional Accessories

KWC CAMPUS Slab urinal

Modell-Linie: **CAMPUS | CMPX555**
WCs and urinals | Trough urinal



Slab urinal connector

2000101123
ZCMPX0008

CAMPUS Trap cover for slab urinals

2000102739
ZCMPX0010

F5 smart urinal sensor

2030067530
F5EF3008

F5 smart urinal sensor

2030067531
F5EF3009