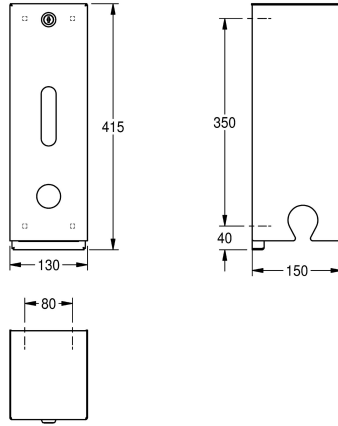


## KWC HEAVY-DUTY Toilet roll holder

Modell-Linie: HEAVYDUTY | HDTX674  
Accessories | WC-roll holders



### KWC-No.

**2000057081**

Toilet roll holder, dimensions 130 x 415 x 150 mm (W x H x D)

Toilet roll holder for wall mounting, stainless steel, surface satin finished, material thickness 14 gauge (2 mm), casing is held in place by a stainless steel rod fixed to the mounting plate and a security lock, paper withdrawal over tear-off edge, for three rolls with max. 120 mm width and max. diameter 115 mm, without

spindles, reserve rolls visible, inclusive stainless steel screws and dowels.

Dimensions 130 x 415 x 150 mm (W x H x D)

### Technical Data

maximum depth/diameter of cons
maximum width of consumable
filling quantity
filling quantity uom
lock
material
material code
material thickness
overall depth
overall height
overall width
spindle
surface finish
type of fixing
type of mounting

115 mm
120 mm
3
rolls
key-screw-lock
stainless steel
1.4301 Chrome Nickel steel V2A
2 mm
150 mm
415 mm
130 mm
No
satin finished
screw
wall mounting

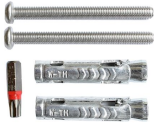


### Spare Parts



**KWC HEAVY-DUTY**  
Toilet roll holder

**Modell-Linie: HEAVYDUTY | HDTX674**  
Accessories | WC-roll holders



**HEAVY-DUTY BX protection system**

---

**2000101366**  
BF22HD

---