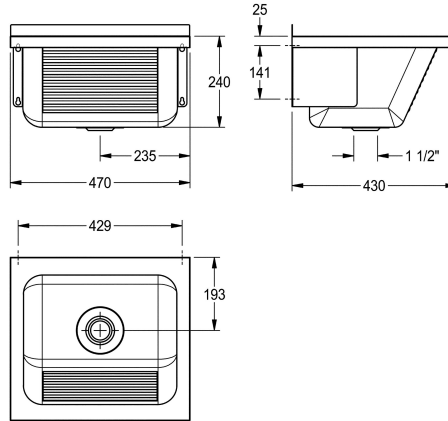


KWC SIRIUS Washtrough

Modell-Linie: SIRIUS | LTJ450
Utility sinks | Multi purpose sink



KWC-No.

2000057085

Dimensions 470 x 240 x 430 mm (W x H x D)

General purpose utility sink for wall mounting, stainless steel, surface satin finished, material thickness 0.8 mm, front panel with riffle, 1 1/2" centric plug waste, with overflow, 30 mm rear upstand, prewelded mounting brackets, includes stainless steel screws and dowels.

Optionally available hinged grid Z-SIRX001: loosely attached - for side mount.

Dimensions 470 x 270 x 430 mm (W x H x D)

Technical Data

splash back height
bowl position
bowl construction
bowl - bowl height
bowl finish
bowl - depth
bowl - width
brushes
drainer or storage
grid
material
material code
material thickness
number of waste holes
outlet size
overall depth
overall height
overall width
overflow
rear upstand
wash riffle
spillway
splash back
sump
sump basket

30 mm
center
radius corners
240 mm
satin finished
340 mm
400 mm
Without brushes
no
optional
stainless steel
1.4301 Chrome Nickel steel V2A
0.8 mm
1
G 1 1/2 B
430 mm
270 mm
470 mm
yes
no
yes
yes
yes
component of another part
no
no



KWC SIRIUS Washtrough

Modell-Linie: SIRIUS | LTJ450
Utility sinks | Multi purpose sink

surface finish	satin finished
tap ledge	no
type of mounting	wall mounting
type of utility sink	cleaner sink
type of waste kit	perforated waste
number of wash places	1
waste hole position	centre
waste hole projection	194 mm
waste kit included	yes
waste size	DN 40