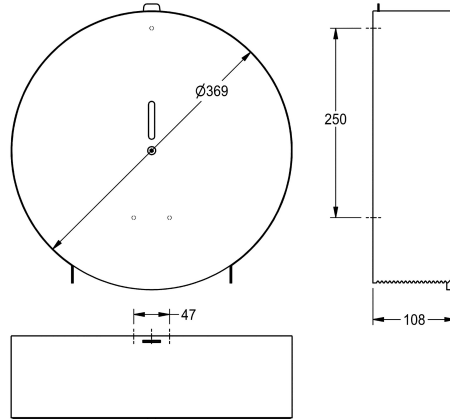


## KWC

### Jumbo toilet roll holder

Modell-Linie: ACCESSOIRES | CHR670

Accessories | WC-roll holders



#### KWC-No.

**2000057141**

Dimensions 369 x 369 x 108 mm (W x H x D)

Jumbo roll holder for wall mounting, stainless steel, surface satin finished, material thickness 0.9 mm, closed round casing with inspection window, paper withdrawal over two tear-off edges, locked with hexagonal allen screw, for 1 roll with max. diameter 350

mm, includes stainless steel screws, dowels and hexagonal allen key.

Dimensions 369 x 369 x 108 mm (W x H x D)

#### Technical Data

maximum depth/diameter of cons	350 mm
maximum width of consumable	100 mm
filling quantity	1
filling quantity uom	rolls
lock	screw-lock
material	stainless steel
material code	1.4301 Chrome Nickel steel V2A
material thickness	0.9 mm
overall depth	108 mm
overall height	369 mm
overall width	369 mm
spindle	Yes
surface finish	satin finished
type of fixing	screw
type of mounting	wall mounting