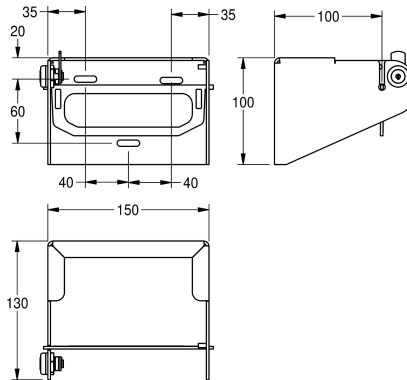
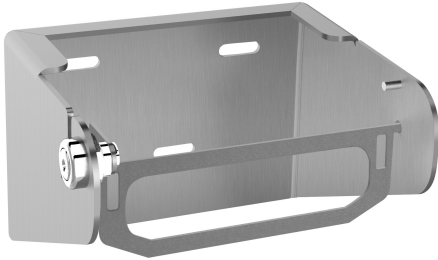


KWC

Toilet roll holder

Modell-Linie: ACCESSOIRES | CHR675
Accessories | WC-roll holders



KWC-No.

2000057143

Dimensions 150 x 100 x 130 mm (W x H x D)

Toilet roll holder for wall mounting, stainless steel, surface satin finished, material thickness 2 mm, cylinder lock with KWC standard key, for 1 roll with max. diameter 140 mm, thief protected spindle, controlled paper consumption due to spindle stop mechanism,

includes stainless steel screws and dowels.

Dimensions 150 x 100 x 130 mm (W x H x D)

Technical Data

| | |
|--------------------------------|--------------------------------|
| maximum depth/diameter of cons | 140 mm |
| maximum width of consumable | 140 mm |
| filling quantity | 1 |
| filling quantity uom | rolls |
| lock | key-lock |
| material | stainless steel |
| material code | 1.4301 Chrome Nickel steel V2A |
| material thickness | 2 mm |
| overall depth | 130 mm |
| overall height | 100 mm |
| overall width | 150 mm |
| spindle | yes |
| surface finish | satin finished |
| type of fixing | screw |
| type of mounting | wall mounting |