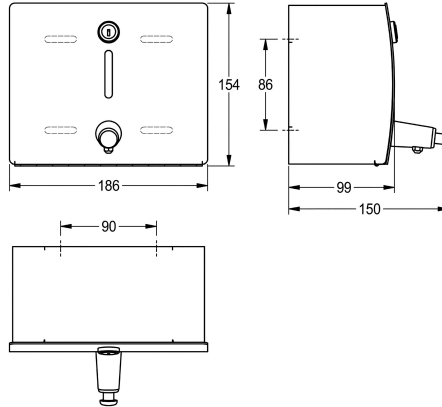


KWC STRATOS Soap dispenser for wall mounting

Modell-Linie: STRATOS | STRX619
Accessories | Soap dispensers



KWC-No.

2000057382

Dimensions 186 x 154 x 142 mm (W x H x D)

Soap dispenser for wall mounting, stainless steel, surface satin finished, front with InoxPlus surface refinement for the reduction of finger marks and better cleaning characteristics (easy to clean), material thickness 1.5 mm, curved front cover, cylinder lock with KWC standard key, inspection window on front, suitable for liquid

soaps and lotions, 1 liter soap tank, push button on front, includes stainless steel screws and dowels.

Dimensions 186 x 154 x 150 mm (W x H x D)

Technical Data

filling quantity
filling quantity uom
lock
material
material code
material thickness
overall depth
overall height
overall width
surface finish
surface treatment
type of consumable
type of fixing
type of mounting
type of operation
type of soap container

1
liter
key-lock
stainless steel
1.4301 Chrome Nickel steel V2A
1.5 mm
150 mm
154 mm
186 mm
satin finished
InoxPlus (anti fingerprint)
liquid soap
screw
wall mounting
manual operation
integrated refillable tank

INOX PLUS

Consumables

KWC STRATOS Soap dispenser for wall mounting

Modell-Linie: STRATOS | STRX619
Accessories | Soap dispensers



Liquid soap

2030058103
SO1LP



Liquid soap

2000057168
SO10L
