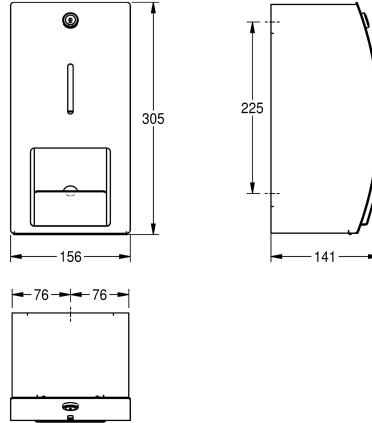


KWC STRATOS

Toilet roll holder for wall mounting

Modell-Linie: STRATOS | STRX671

Accessories | WC-roll holders



KWC-No.

2000057395

Dimensions 156 x 305 x 141 mm (W x H x D)

Double toilet roll holder for wall mounting, stainless steel, surface satin finished, front with InoxPlus surface refinement for the reduction of finger marks and better cleaning characteristics (easy to clean), material thickness 1.5 mm, curved front cover, cylinder lock with KWC standard key, for 2 rolls with max. diameter 120 mm, second

roll will be released after consumption of first roll, without spindles, includes stainless steel screws and dowels.

Dimensions 156 x 305 x 141 mm (W x H x D)

Technical Data

maximum depth/diameter of cons	120 mm
maximum width of consumable	100 mm
filling quantity	2
filling quantity uom	rolls
lock	key-lock
material	stainless steel
material code	1.4301 Chrome Nickel steel V2A
material thickness	1.5 mm
overall depth	141 mm
overall height	305 mm
overall width	156 mm
spindle	No
surface treatment	InoxPlus (anti fingerprint)
type of fixing	screw
type of mounting	wall mounting

INOX PLUS