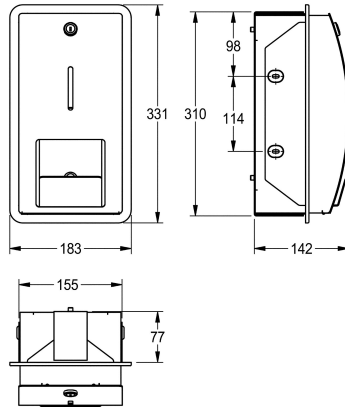


KWC STRATOS

Toilet roll holder for recessed mounting

Modell-Linie: STRATOS | STRX671E

Accessories | WC-roll holders



KWC-No.

2000057396

Dimensions 183 x 331 x 142 mm (W x H x D)

Double toilet roll holder for recessed mounting, stainless steel, surface satin finished, front with InoxPlus surface refinement for the reduction of finger marks and better cleaning characteristics (easy to clean), material thickness 1.5 mm, curved front cover with inspection window, cylinder lock with KWC standard key, for 2 rolls

with max. diameter 120 mm, second roll will be released after consumption of first roll, without spindles, includes stainless steel screws and dowels.

Dimensions 183 x 331 x 142 mm (W x H x D)

Technical Data

maximum depth/diameter of cons	120 mm
maximum width of consumable	115 mm
filling quantity	2
filling quantity uom	rolls
lock	key-lock
material	stainless steel
material code	1.4301 Chrome Nickel steel V2A
material thickness	1.5 mm
overall depth	142 mm
overall height	331 mm
overall width	183 mm
spindle	No
surface treatment	InoxPlus (anti fingerprint)
type of fixing	screw
type of mounting	wall mounting

**INOX
PLUS**