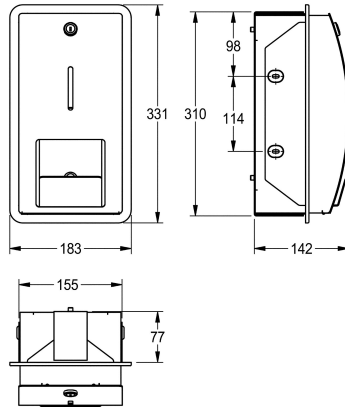


## KWC STRATOS

Toilet roll holder for recessed mounting

Modell-Linie: STRATOS | STRX671E

Accessories | WC-roll holders



### KWC-No.

**2000057396**

Dimensions 183 x 331 x 142 mm (W x H x D)

Double toilet roll holder for recessed mounting, stainless steel, surface satin finished, front with InoxPlus surface refinement for the reduction of finger marks and better cleaning characteristics (easy to clean), material thickness 1.5 mm, curved front cover with inspection window, cylinder lock with KWC standard key, for 2 rolls

with max. diameter 120 mm, second roll will be released after consumption of first roll, without spindles, includes stainless steel screws and dowels.

Dimensions 183 x 331 x 142 mm (W x H x D)

### Technical Data

|                                |                                |
|--------------------------------|--------------------------------|
| maximum depth/diameter of cons | 120 mm                         |
| maximum width of consumable    | 115 mm                         |
| filling quantity               | 2                              |
| filling quantity uom           | rolls                          |
| lock                           | key-lock                       |
| material                       | stainless steel                |
| material code                  | 1.4301 Chrome Nickel steel V2A |
| material thickness             | 1.5 mm                         |
| overall depth                  | 142 mm                         |
| overall height                 | 331 mm                         |
| overall width                  | 183 mm                         |
| spindle                        | no                             |
| surface treatment              | InoxPlus (anti fingerprint)    |
| type of fixing                 | screw                          |
| type of mounting               | wall mounting                  |

**INOX PLUS**