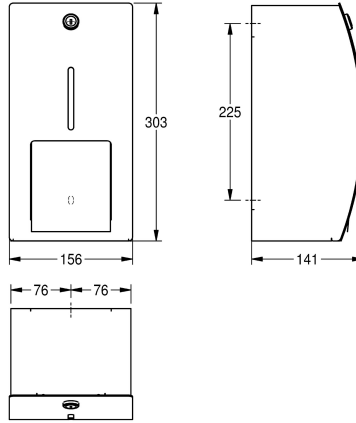


## KWC STRATOS

Toilet roll holder for wall mounting

Modell-Linie: STRATOS | STRX672

Accessories | WC-roll holders



### KWC-No.

**2000057399**

Dimensions 156 x 303 x 141 mm (W x H x D)

Double toilet roll holder with spindle system for wall mounting, stainless steel, surface satin finished, front with InoxPlus surface refinement for the reduction of finger marks and better cleaning characteristics (easy to clean), material thickness 1.5 mm, curved front cover, cylinder lock with KWC standard key, for 2 rolls with

max. diameter 120 mm, second roll will be released after consumption of first roll, with spindles, reserve roll not visible, includes stainless steel screws and dowels.

Dimensions 156 x 303 x 141 mm (W x H x D)

### Technical Data

maximum depth/diameter of cons	120 mm
maximum width of consumable	100 mm
filling quantity	2
filling quantity uom	rolls
lock	key-lock
material	stainless steel
material code	1.4301 Chrome Nickel steel V2A
material thickness	1.5 mm
overall depth	141 mm
overall height	303 mm
overall width	156 mm
spindle	yes
surface treatment	InoxPlus (anti fingerprint)
type of fixing	screw
type of mounting	wall mounting

**INOX  
PLUS**