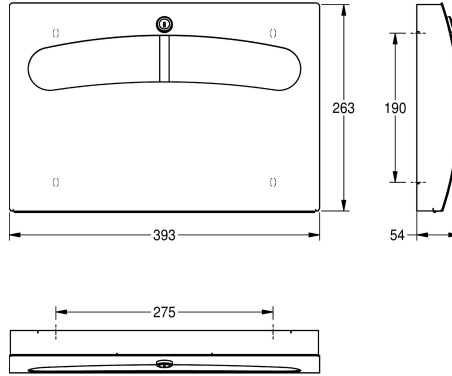


## KWC STRATOS Toilet seat paper dispenser

Modell-Linie: STRATOS | STRX680  
Accessories | Toilet seat paper dispensers



### KWC-No.

**2000057401**

Dimensions 393 x 263 x 54 mm (W x H x D)

Toilet seat paper dispenser for wall mounting, stainless steel, surface satin finished, front with InoxPlus surface refinement for the reduction of finger marks and better cleaning characteristics (easy to clean), material thickness 1.5 mm, curved front cover with oval

aperture, cylinder lock with KWC standard key, for KWC seat paper or others, includes stainless steel screws and dowels.

Dimensions 393 x 263 x 54 mm (W x H x D)

### Technical Data

filling quantity	200
filling quantity uom	pieces
lock	key-lock
material	stainless steel
material code	1.4301 Chrome Nickel steel V2A
material thickness	1.5 mm
overall depth	54 mm
overall height	263 mm
overall width	393 mm
surface finish	satin finished
surface treatment	InoxPlus (anti fingerprint)
type of consumable	toilet seat paper
type of fixing	screw
type of mounting	wall mounting
type of operation	manual operation

filling quantity	200
filling quantity uom	pieces
lock	key-lock
material	stainless steel
material code	1.4301 Chrome Nickel steel V2A
material thickness	1.5 mm
overall depth	54 mm
overall height	263 mm
overall width	393 mm
surface finish	satin finished
surface treatment	InoxPlus (anti fingerprint)
type of consumable	toilet seat paper
type of fixing	screw
type of mounting	wall mounting
type of operation	manual operation

**INOX  
PLUS**

### Consumables





## **KWC** STRATOS

Toilet seat paper dispenser

**Modell-Linie: STRATOS | STRX680**

Accessories | Toilet seat paper dispensers

---

### **STRATOS toilet seat paper**

**2000100018**

E-STRX680

---