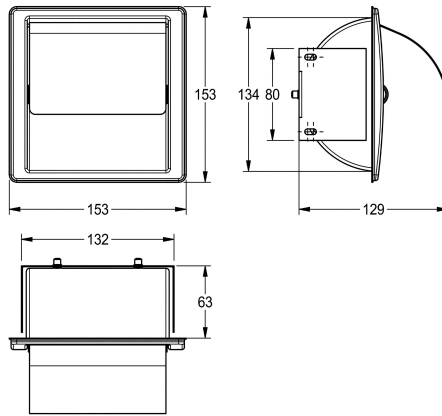


KWC STRATOS

Toilet roll holder for recessed mounting

Modell-Linie: STRATOS | STRX673E

Accessories | WC-roll holders



KWC-No.

2000057422

Dimensions 153 x 153 x 129 mm (W x H x D)

Toilet roll holder for recessed mounting, stainless steel, surface satin finished, material thickness 0.8 mm, curved folding cover, for 1 roll with max. width 130 mm, includes stainless steel screws and

dowels.

Dimensions 153 x 153 x 129 mm (W x H x D)

Technical Data

| | |
|--------------------------------|--------------------------------|
| maximum depth/diameter of cons | 120 mm |
| maximum width of consumable | 120 mm |
| filling quantity | 1 |
| filling quantity uom | rolls |
| lock | no lock |
| material | stainless steel |
| material code | 1.4301 Chrome Nickel steel V2A |
| material thickness | 0.8 mm |
| overall depth | 129 mm |
| overall height | 153 mm |
| overall width | 153 mm |
| spindle | Yes |
| surface finish | satin finished |
| type of fixing | screw |
| type of mounting | recessed mounting |