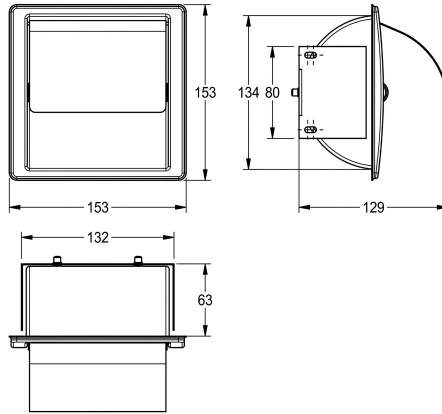


KWC STRATOS

Toilet roll holder for recessed mounting

Modell-Linie: STRATOS | STRX673E

Accessories | WC-roll holders



KWC-No.

2000057422

Dimensions 153 x 153 x 129 mm (W x H x D)

Toilet roll holder for recessed mounting, stainless steel, surface satin finished, material thickness 0.8 mm, curved folding cover, for 1 roll with max. width 130 mm, includes stainless steel screws and

dowels.

Dimensions 153 x 153 x 129 mm (W x H x D)

Technical Data

maximum depth/diameter of cons	120 mm
maximum width of consumable	120 mm
filling quantity	1
filling quantity uom	rolls
lock	no lock
material	stainless steel
material code	1.4301 Chrome Nickel steel V2A
material thickness	0.8 mm
overall depth	129 mm
overall height	153 mm
overall width	153 mm
spindle	yes
surface finish	satin finished
type of fixing	screw
type of mounting	recessed mounting