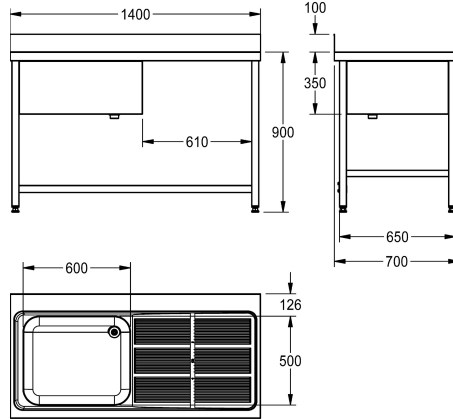


KWC MAXIMA Commercial sink with frame

Modell-Linie: MAXIMA | MAXL140-70FDW
Catering sinks | Catering sinks



KWC-No.

2000057560

Dimensions 1400 x 900 x 700 mm (W x H x D) Washbasin
dimensions 600 x 300 x 500 mm (W x H x D)

Commercial sink and underframe welded together, stainless steel, surface satin finished, material thickness 1 mm, deep drawn seamless welded bowl, without overflow and 80 mm tap ledge, 1 1/2" waste with two part overflow tube consisting of perforated stainless steel tube and plastic tube, drain board with riffle and slanted to bowl, drain board with reinforced stainless steel bracket,

100 mm rear upstand, underframe with 300 mm cover, cover with cut out for dishwasher, feet 40 x 40 mm and height adjustable to 25 mm, cross stud on backside for better stability, drilling holes for wall mounting prelasered.

Dimensions 1400 x 1000 x 700 mm (W x H x D)

Technical Data

bowl - bowl height

300 mm

bowl finish

satin finished

bowl - depth

600 mm

bowl - width

500 mm

drainer position

right

drainer or storage

drainer

drainer / storage board quanti

1-Temperature exchange equipme

material

stainless steel

material code

1.4301 Chrome Nickel steel V2A

material thickness

1 mm

noise prevention

Yes

overall depth

700 mm

overall height

1,000 mm

overall width

1,400 mm

rear upstand

Yes

surface finish

satin finished

tap ledge

Yes

type of mounting

floor mounting

waste hole position

right back corner

waste hole projection

216 mm

waste kit included

Yes

waste size

DN 40

