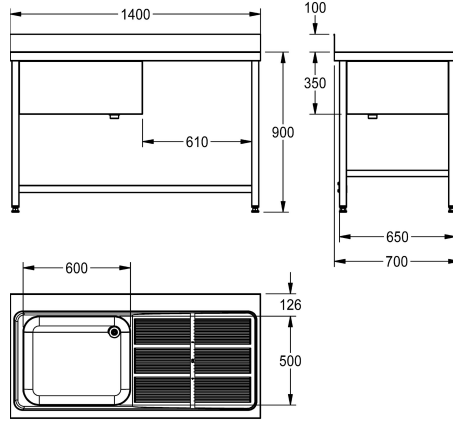


KWC MAXIMA Commercial sink with frame

Modell-Linie: MAXIMA | MAXL140-70FDW
Catering sinks | Catering sinks



KWC-No.

2000057560

Dimensions 1400 x 900 x 700 mm (W x H x D) Washbasin
dimensions 600 x 300 x 500 mm (W x H x D)

Commercial sink and underframe welded together, stainless steel, surface satin finished, material thickness 1 mm, deep drawn seamless welded bowl, without overflow and 80 mm tap ledge, 1 1/2" waste with two part overflow tube consisting of perforated stainless steel tube and plastic tube, drain board with riffle and slanted to bowl, drain board with reinforced stainless steel bracket,

100 mm rear upstand, underframe with 300 mm cover, cover with cut out for dishwasher, feet 40 x 40 mm and height adjustable to 25 mm, cross stud on backside for better stability, drilling holes for wall mounting prelasered.

Dimensions 1400 x 1000 x 700 mm (W x H x D)

Technical Data

| |
|--------------------------------|
| bowl - bowl height |
| bowl finish |
| bowl - depth |
| bowl - width |
| drainer position |
| drainer or storage |
| drainer / storage board quanti |
| material |
| material code |
| material thickness |
| noise prevention |
| overall depth |
| overall height |
| overall width |
| rear upstand |
| surface finish |
| tap ledge |
| type of mounting |
| waste hole position |
| waste hole projection |
| waste kit included |
| waste size |

| |
|--------------------------------|
| 300 mm |
| satin finished |
| 600 mm |
| 500 mm |
| right |
| drainer |
| yes |
| stainless steel |
| 1.4301 Chrome Nickel steel V2A |
| 1 mm |
| yes |
| 700 mm |
| 1,000 mm |
| 1,400 mm |
| yes |
| satin finished |
| yes |
| floor mounting |
| right back corner |
| 216 mm |
| yes |
| DN 40 |

