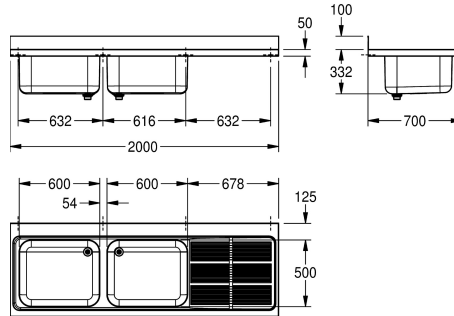
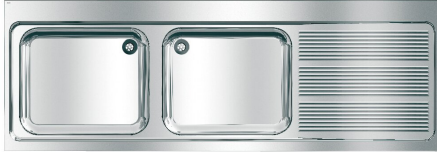


KWC MAXIMA Commercial sink

Modell-Linie: MAXIMA | MAXL212-200
Catering sinks | Catering sinks



KWC-No.

2000057584

Drip section right

2000057586

Drip section left

drainer position

right

left

Commercial sink for inset or wall mounting, stainless steel, surface satin finished, material thickness 1 mm, two deep drawn seamless welded bowls, without overflow and 100 mm tap ledge, bowls left or right, 1 1/2" waste with two part overflow tube consisting of perforated stainless steel tube and plastic tube, drain board with riffle and slanted to bowl, drain board with reinforced stainless steel

bracket, 100 mm rear upstand, wall mounting brackets optional, drilling holes for wall mounting prelasered.

Dimensions 2000 x 432 x 700 mm (W x H x D)
Drain board right

Technical Data

bowl - bowl height

300 mm

bowl finish

satin finished

bowl - depth

500 mm

bowl - width

600 mm

drainer position

right

drainer or storage

drainer

drainer / storage board quanti

1-Temperature exchange equipme

material

stainless steel

material code

1.4301 Chrome Nickel steel V2A

material thickness

1 mm

noise prevention

Yes

overall depth

700 mm

overall height

432 mm

overall width

2.000 mm

rear upstand

Yes

surface finish

satin finished

tap ledge

Yes

type of mounting

mounted on product

waste hole position

right back corner

waste hole projection

216 mm

waste kit included

Yes

waste size

DN 40



KWC MAXIMA Commercial sink

Modell-Linie: MAXIMA | MAXL212-200
Catering sinks | Catering sinks

Optional Accessories



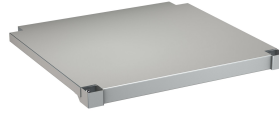
MAXIMA Bracket

2000057094
MAXB700



MAXIMA Frame for Maxima

2000057117
MAXF200-70



MAXIMA Shelf for Maxima

2000057760
MAXT200-70
