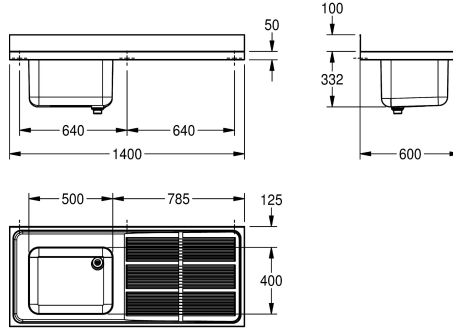


KWC MAXIMA Commercial sink

Modell-Linie: MAXIMA | MAXS 112-140
Catering sinks | Catering sinks



KWC-No.

2000057662
Drip section right

2000057700
Drip section left

drainer position

right

left

Commercial sink for inset or wall mounting, stainless steel, surface satin finished, material thickness 1 mm, deep drawn seamless welded bowl with dimensions, without overflow and 80 mm tap ledge, bowl left or right, 1 1/2" waste with two part overflow tube consisting of perforated stainless steel tube and plastic tube, drain board with raffle and slanted to bowl, drain board with reinforced

stainless steel bracket, 100 mm rear upstand, wall mounting brackets optional, drilling holes for wall mounting prelasered.

Dimensions 1400 x 432 x 600 mm (W x H x D)
Drain board right

Technical Data

bowl - bowl height

300 mm

bowl finish

satin finished

bowl - depth

400 mm

bowl - width

500 mm

drainer position

right

drainer or storage

drainer

drainer / storage board quanti

1-Temperature exchange equipme

material

stainless steel

material code

1.4301 Chrome Nickel steel V2A

material thickness

1 mm

noise prevention

Yes

overall depth

600 mm

overall height

432 mm

overall width

1,400 mm

rear upstand

Yes

surface finish

satin finished

tap ledge

Yes

type of mounting

mounted on product

waste hole position

right back corner

waste hole projection

221 mm

waste kit included

Yes

waste size

DN 40



KWC MAXIMA Commercial sink

Modell-Linie: MAXIMA | MAXS 112-140
Catering sinks | Catering sinks

Optional Accessories



MAXIMA Bracket

2000057092
MAXB600



MAXIMA Frame for Maxima

2000057106
MAXF140-60



MAXIMA Shelf for Maxima

2000057756
MAXT140-60
