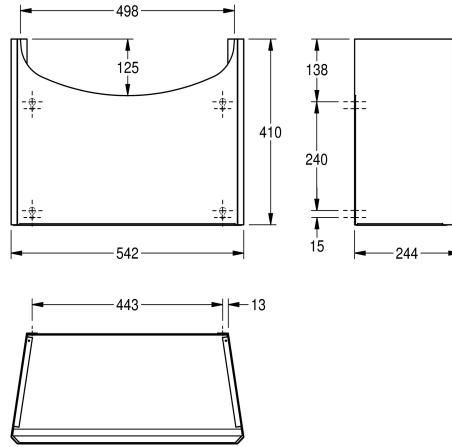
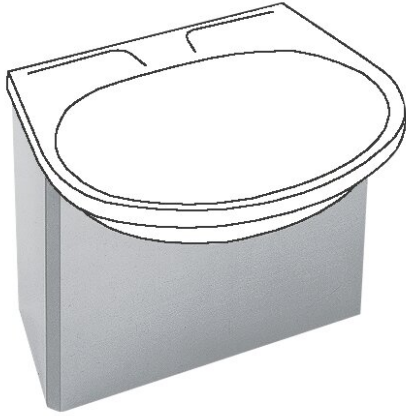


## KWC ANIMA

### Trap cover

Modell-Linie: ANIMA | BS206

Washbasins & Washtroughs | Complementary parts wash basins



#### KWC-No.

**2000058442**

Trap cover for hand washbasins BS204/205 made of chromium nickel steel, dimensions 542 x 410 x 244 mm (W x H x D)

Wall mounted trap cover for wash basin BS204 and BS205, stainless steel, surface high polished, material thickness 1 mm, not closed at bottom, includes screws and dowels.

Dimensions 542 x 410 x 244 mm (W x H x D)