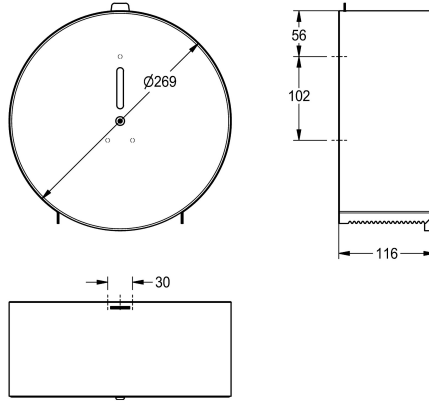


KWC

Jumbo toilet roll holder

Modell-Linie: ACCESSOIRES | CHR669

Accessories | WC-roll holders



KWC-No.

2000060983

Dimensions 269 x 269 x 116 mm (W x H x D)

Jumbo roll holder for wall mounting, stainless steel, surface satin finished, material thickness 0.8 mm, cylinder lock with KWC standard key, closed round casing with inspection window, paper withdrawal over two tear-off edges, for 1 roll with max. diameter

260 mm, includes stainless steel screws and dowels.

Dimensions 269 x 269 x 116 mm (W x H x D)

Technical Data

maximum depth/diameter of cons	260 mm
maximum width of consumable	105 mm
filling quantity	1
filling quantity uom	rolls
lock	key-lock
material	stainless steel
material code	1.4301 Chrome Nickel steel V2A
material thickness	0.8 mm
overall depth	116 mm
overall height	269 mm
overall width	269 mm
spindle	Yes
surface finish	satin finished
type of fixing	screw
type of mounting	wall mounting