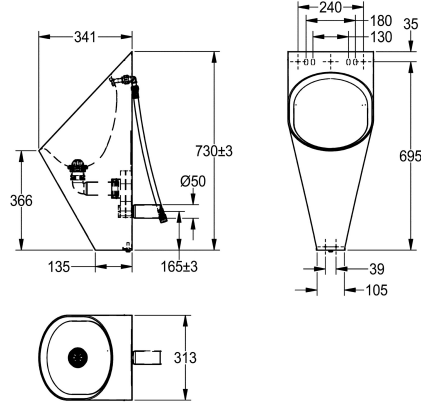


KWC CAMPUS Urinal

Modell-Linie: **CAMPUS | CMPX538**
WCs and urinals | Single urinal



KWC-No.

2000071872

Version for installation from the front, with mounting clamp and concealed mounting

2000103380

Version as urinal with concealed flushing control, for installation from the front, with mounting clamp and concealed mounting

type of waste kit

domed waste

perforated waste

bracket and domed waste.

With stainless steel spreader 1/2"
Dimensions 313 x 733 x 341 mm (W x H x D)

Single urinal for wall mounting, stainless steel, surface satin finished, material thickness 1.2 mm, oval bowl, stainless steel spreader 1/2", hidden horizontal outlet towards wall, mounting and fixing conform to EN 80, hidden screws, included trap DN 50, included mounting

Technical Data

inlet size
LEED MR credit 4 (1-2 points)
material
material code
material thickness
outlet size
overall depth
overall height
overall width
siphon included
surface finish
type of flushing
type of mounting
type of urinal
type of waste kit
water inlet
water outlet

G 1/2 B
31% pre-consumer / 56% post
stainless steel
1.4301 Chrome Nickel steel V2A
1.2 mm
DN 50
341 mm
733 mm
313 mm
yes
satin finished
water flushed
wall mounting
single urinal
domed waste
concealed
concealed

Spare Parts



Wall mounting plate

2000103374
ECMPX538

Domed waste

2030028476
ECMPX003N

Spreader

2000103382
ECMPX013

Siphon DN50

2000103386
ECMPX008

Flow limiter

2000103560
ECMPX045

Flexible hose

2000103768
ECMPX027