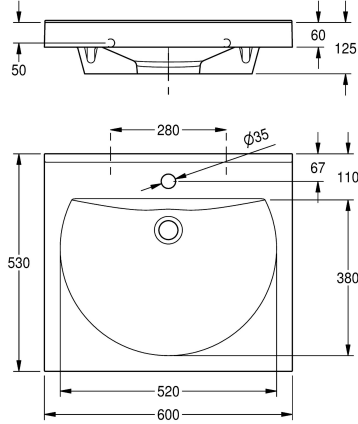
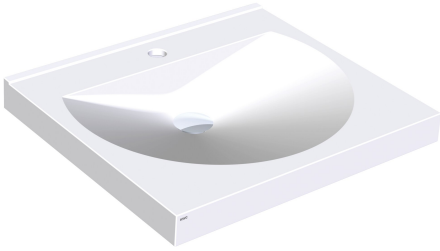


## KWC RONDA Single washbasin

Modell-Linie: **RONDA | ANMW211**  
Washbasins & Washtroughs | Wash basins



### KWC-No.

**2000090005**  
With 35 mm diameter tap hole

**2000090004**  
Without tap holes

### number of tap holes

1

RONDA single washbasin made of MIRANIT resin-bonded mineral material with smooth and pore-free surface (temperature-resistant up to 80 °C). Colour Alpine white. With seamless round bowl, flattened out at the rear, without overflow. Mounting on washbasin back panel. Rear contoured edge. Three-sided apron 60 mm (H).

With tap hole 35 mm (D). Mounting material included.

Dimensions 600 x 125 x 530 mm (W x H x D)  
Bowl dimensions 520 x 90 x 380 mm (W x H x D)

### Technical Data

bowl position
bowl - bowl height
bowl - depth
bowl shape
bowl - width
colour
material
material code
overall depth
overall height
overall width
overflow
rear upstand
siphon included
splash back
number of tap holes
tap hole diameter
tap hole position
tap ledge
type of mounting
waste hole position
waste hole projection
waste kit included

Center
90 mm
380 mm
circle with straight sides
520 mm
alpinewhite
mineral material
Miranit
530 mm
125 mm
600 mm
No
Yes
No
No
1
35 mm
middle
Yes
wall mounting
centre back
185 mm
No



## KWC RONDA Single washbasin

Modell-Linie: **RONDA | ANMW211**  
Washbasins & Washtroughs | Wash basins

waste size

DN 32

### Optional Accessories



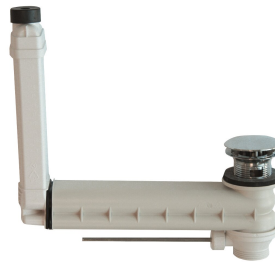
**Strainer waste**

**2000100854**  
ZANMW901



**Dome waste valve**

**2000100861**  
ZANMW900



**Drain and overflow set**

**2000100932**  
ZANMW902



**Trap**

**2000057417**  
XINX140