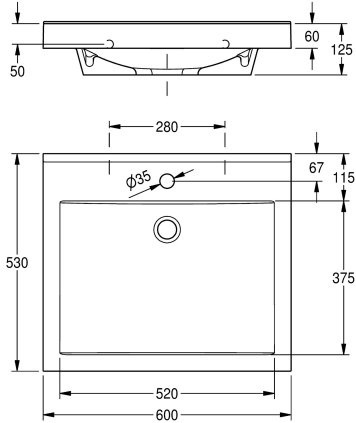


KWC QUADRO Single washbasin

Modell-Linie: **QUADRO | ANMW411**
Washbasins & Washtroughs | Wash basins



KWC-No.

2000090011

With 35 mm diameter tap hole

2000090010

Without tap hole

number of tap holes

1

QUADRO single washbasin made of MIRANIT resin-bonded mineral material, with smooth, pore-free surface (temperature-resistant up to 80 °C). Colour Alpine white. With seamless, rectangular bowl without overflow. Mounting on washbasin back panel. Rear contoured edge. Three-sided apron 60 mm (H). With

tap hole 35 mm (D). Mounting material included.

Dimensions 600 x 125 x 530 mm (W x H x D)
Bowl dimensions 520 x 40/90 x 375 mm (W x H x D)

Technical Data

bowl position	Center
bowl - bowl height	90 mm
bowl - depth	375 mm
bowl shape	rectangle
bowl - width	520 mm
colour	alpinewhite
material	mineral material
material code	Miranit
overall depth	530 mm
overall height	125 mm
overall width	600 mm
overflow	No
rear upstand	Yes
siphon included	No
splash back	No
number of tap holes	1
tap hole diameter	35 mm
tap hole position	middle
tap ledge	Yes
type of mounting	wall mounting
waste hole position	centre back
waste hole projection	185 mm
waste kit included	No

Center
90 mm
375 mm
rectangle
520 mm
alpinewhite
mineral material
Miranit
530 mm
125 mm
600 mm
No
Yes
No
No
1
35 mm
middle
Yes
wall mounting
centre back
185 mm
No



KWC QUADRO Single washbasin

Modell-Linie: **QUADRO | ANMW411**
Washbasins & Washtroughs | Wash basins

waste size

DN 32

Optional Accessories



Strainer waste

2000100854
ZANMW901



Dome waste valve

2000100861
ZANMW900



Drain and overflow set

2000100932
ZANMW902



Trap

2000057417
XINX140