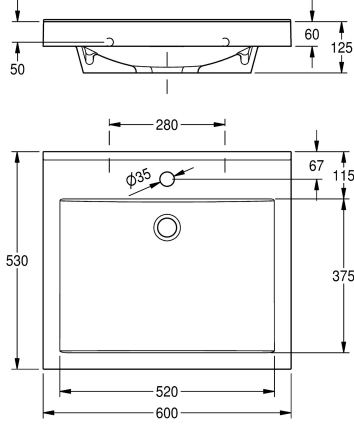


## KWC QUADRO Single washbasin

Modell-Linie: **QUADRO | ANMW411**  
Washbasins & Washtroughs | Wash basins



### KWC-No.

**2000090011**

With 35 mm diameter tap hole

**2000090010**

Without tap hole

### number of tap holes

1

QUADRO single washbasin made of MIRANIT resin-bonded mineral material, with smooth, pore-free surface (temperature-resistant up to 80 °C). Colour Alpine white. With seamless, rectangular bowl without overflow. Mounting on washbasin back panel. Rear contoured edge. Three-sided apron 60 mm (H). With

tap hole 35 mm (D). Mounting material included.

Dimensions 600 x 125 x 530 mm (W x H x D)  
Bowl dimensions 520 x 40/90 x 375 mm (W x H x D)

### Technical Data

bowl position	center
bowl - bowl height	90 mm
bowl - depth	375 mm
bowl shape	rectangle
bowl - width	520 mm
colour	alpinewhite
material	mineral material
material code	Miranit
overall depth	530 mm
overall height	125 mm
overall width	600 mm
overflow	no
rear upstand	yes
siphon included	no
splash back	no
number of tap holes	1
tap hole diameter	35 mm
tap hole position	middle
tap ledge	yes
type of mounting	wall mounting
waste hole position	centre back
waste hole projection	185 mm
waste kit included	no



## KWC QUADRO Single washbasin

Modell-Linie: **QUADRO | ANMW411**  
Washbasins & Washtroughs | Wash basins

waste size

DN 32

### Optional Accessories



**Strainer waste**

**2000100854**  
ZANMW901



**Dome waste valve**

**2000100861**  
ZANMW900



**Drain and overflow set**

**2000100932**  
ZANMW902



**Trap**

**2000057417**  
XINX140