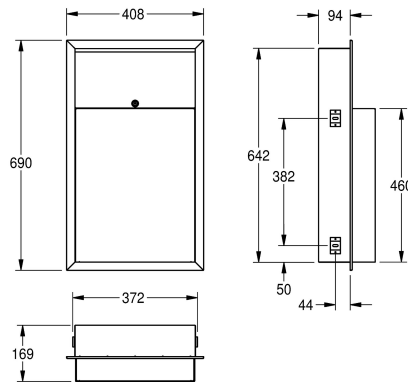


KWC RODAN

Waste bin for recessed mounting

Modell-Linie: RODAN | RODX605E

Accessories | Waste bins



KWC-No.

2000090062

Dimensions 408 x 690 x 169 mm (W x H x D)

2000101344

Dimensions 410 x 690 x 170 mm (W x H x D)

overall width

408 mm

410 mm

Waste bin for recessed mounting, stainless steel, surface satin finished, material thickness 0.8 mm, rounded edges, cylinder lock with KWC standard key, mounting with in-wall frame, includes stainless steel screws and dowels.

Capacity approx. 23 liter

Dimensions 408 x 690 x 169 mm (W x H x D)

Technical Data

bag holder

No

filling volume

23 Liter

lid

No

lock

key-lock

material

stainless steel

material code

1.4301 Chrome Nickel steel V2A

material thickness

0.8 mm

overall depth

169 mm

overall height

690 mm

overall width

408 mm

surface finish

satin finished

type of fixing

screw

type of mounting

recessed mounting

Optional Accessories





KWC RODAN

Waste bin for recessed mounting

Modell-Linie: RODAN | RODX605E
Accessories | Waste bins

RODAN Bag holder

2030022424
E-RODX605N
