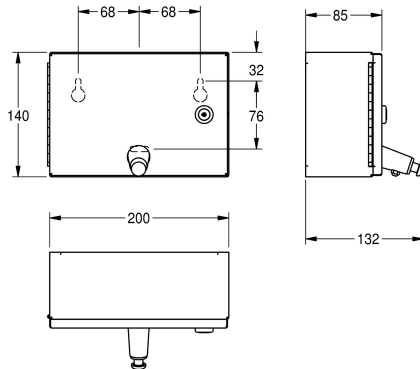


## KWC RODAN Soap dispenser for wall mounting

Modell-Linie: **RODAN | RODX619**  
Accessories | Soap dispensers



### KWC-No.

**2000090068**

Dimensions 200 x 140 x 132 mm (W x H x D)

Soap dispenser for wall mounting, stainless steel, surface satin finished, material thickness 0.8 mm, folded front cover, cylinder lock with KWC standard key, suitable for liquid soaps and lotions, 1 liter soap tank, push button on front, includes stainless steel screws and

dowels.

Dimensions 200 x 140 x 132 mm (W x H x D)

### Technical Data

filling quantity	1
filling quantity uom	liter
lock	key-lock
material	stainless steel
material code	1.4301 Chrome Nickel steel V2A
material thickness	0.8 mm
overall depth	132 mm
overall height	140 mm
overall width	200 mm
surface finish	satin finished
type of consumable	liquid soap
type of fixing	screw
type of mounting	wall mounting
type of operation	manual operation
type of soap container	integrated refillable tank

### Consumables





## **KWC** RODAN

Soap dispenser for wall mounting

**Modell-Linie: RODAN | RODX619**  
Accessories | Soap dispensers

### Liquid soap

---

**2030058103**  
SO1LP

---

### Liquid soap

---

**2000057168**  
SO10L

---