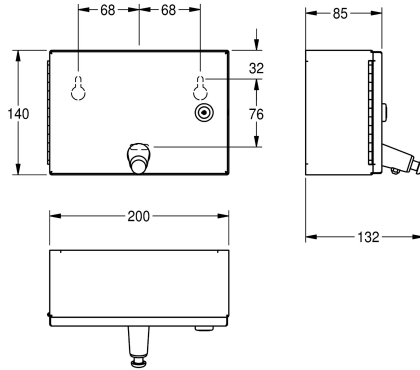


## KWC RODAN Soap dispenser for wall mounting

Modell-Linie: RODAN | RODX619  
Accessories | Soap dispensers



### KWC-No.

**2000090068**

Dimensions 200 x 140 x 132 mm (W x H x D)

Soap dispenser for wall mounting, stainless steel, surface satin finished, material thickness 0.8 mm, folded front cover, cylinder lock with KWC standard key, suitable for liquid soaps and lotions, 1 liter soap tank, push button on front, includes stainless steel screws and

dowels.

Dimensions 200 x 140 x 132 mm (W x H x D)

### Technical Data

filling quantity
filling quantity uom
lock
material
material code
material thickness
overall depth
overall height
overall width
surface finish
type of consumable
type of fixing
type of mounting
type of operation
type of soap container

1
liter
key-lock
stainless steel
1.4301 Chrome Nickel steel V2A
0.8 mm
132 mm
140 mm
200 mm
satin finished
liquid soap
screw
wall mounting
manual operation
integrated refillable tank

### Consumables





## KWC RODAN

Soap dispenser for wall mounting

Modell-Linie: **RODAN | RODX619**  
Accessories | Soap dispensers

### Liquid soap

---

**2030058103**  
SO1LP

---

### Liquid soap

---

**2000057168**  
SO10L

---