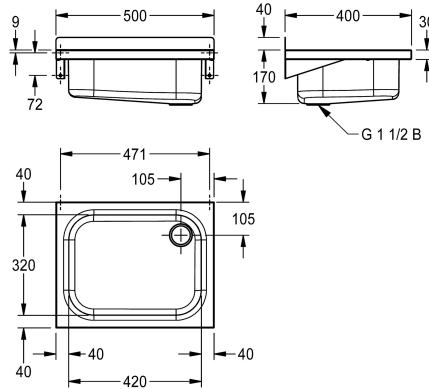


KWC SIRIUS

Utility sink

Modell-Linie: SIRIUS | BS303

Utility sinks | Cleaners sinks



KWC-No.

2000090080

Without folding grid

207.0000.057

With folding grid

Sink, for wall mounting, stainless steel, surface satin finished, material thickness 1,2 mm, seamless welded bowl, without overflow, with 1 1/2" plug waste with plastic overflow pipe, drainage back right, without tap ledge, with rear upstand 40 mm, without hinged grate, includes mounting material and mounting

brackets loose.

Dimension 500 x 210 x 400 mm (W x H x D)

Bowl dimension 420 x 170 x 320 (W x H x D)

Technical Data

| | |
|-----------------------|--------------------------------|
| splash back height | 40 mm |
| bowl position | Center |
| bowl construction | radius corners |
| bowl - bowl height | 175 mm |
| bowl finish | satin finished |
| bowl - depth | 320 mm |
| bowl - width | 420 mm |
| brushes | Without brushes |
| drainer or storage | No |
| grid | No |
| material | stainless steel |
| material code | 1.4301 Chrome Nickel steel V2A |
| material thickness | 1.2 mm |
| number of waste holes | 1 |
| outlet size | G 1 1/2 B |
| overall depth | 400 mm |
| overall height | 215 mm |
| overall width | 500 mm |
| overflow | No |
| rear upstand | No |
| wash riffle | No |
| spillway | No |
| splash back | component of another part |

KWC SIRIUS

Utility sink

Modell-Linie: SIRIUS | BS303

Utility sinks | Cleaners sinks

| | |
|-----------------------|--------------------|
| sump | No |
| sump basket | No |
| surface finish | satin finished |
| tap ledge | No |
| type of mounting | wall mounting |
| type of utility sink | multi purpose sink |
| type of waste kit | perforated waste |
| number of wash places | 1 |
| waste hole position | right back corner |
| waste hole projection | 105 mm |
| waste kit included | Yes |
| waste size | DN 40 |

Optional Accessories



SIRIUS rear wall

2000100939
BS304