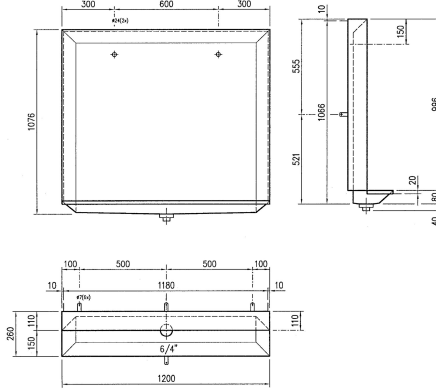
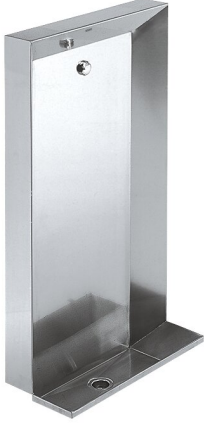


KWC CAMPUS Urinal stand

Modell-Linie: **CAMPUS | BS551**
WCs and urinals | Trough urinal



KWC-No.

2000100030

Dimensions 600 x 1076 x 260 mm (W x H x D)

2000100031

Width 1200 mm

2000100032

Width 1800 mm

overall width

600 mm

1,200 mm

1,800 mm

Floor standing urinal, stainless steel, surface satin finished, material thickness 1.5 mm, back inlet button spreaders 1/2" at 600 mm spacings, 1 1/2" flat perforated waste.

Dimensions 1200 x 1076 x 260 mm (W x H x D)

Technical Data

| |
|---------------------------|
| inlet size |
| material |
| material code |
| material thickness |
| minimum flushing capacity |
| outlet size |
| overall depth |
| overall height |
| overall width |
| siphon included |
| surface finish |
| type of flushing |
| type of mounting |
| type of urinal |
| type of waste kit |
| water inlet |
| water outlet |

| |
|--------------------------------|
| G 1/2 B |
| stainless steel |
| 1.4301 Chrome Nickel steel V2A |
| 1.5 mm |
| 4 Liter |
| G 1 1/2 |
| 260 mm |
| 1,076 mm |
| 1,200 mm |
| no |
| satin finished |
| water flushed |
| wall and floor mounting |
| urinal stand |
| flat perforated waste |
| concealed |
| concealed |