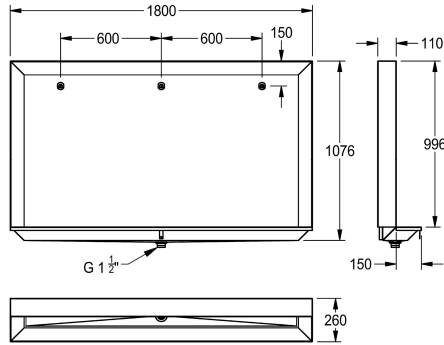
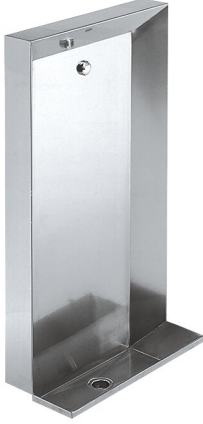


## KWC CAMPUS

### Urinal stand

Modell-Linie: **CAMPUS | BS552**

WCs and urinals | Trough urinal



#### KWC-No.

**2000100030**

Dimensions 600 x 1076 x 260 mm (W x H x D)

**2000100031**

Width 1200 mm

**2000100032**

Width 1800 mm

#### overall width

600 mm

1,200 mm

1,800 mm

Floor standing urinal, stainless steel, surface satin finished, material thickness 1.5 mm, back inlet button spreaders 1/2" at 600 mm spacings, 1 1/2" flat perforated waste.

Dimensions 1800 x 1076 x 260 mm (W x H x D)

#### Technical Data

inlet size	G 1/2 B
material	stainless steel
material code	1.4301 Chrome Nickel steel V2A
material thickness	1.5 mm
minimum flushing capacity	6 Liter
outlet size	G 1 1/2
overall depth	260 mm
overall height	1,076 mm
overall width	1,800 mm
siphon included	no
surface finish	satin finished
type of flushing	water flushed
type of mounting	wall and floor mounting
type of urinal	urinal stand
type of waste kit	flat perforated waste
water inlet	concealed
water outlet	concealed

G 1/2 B
stainless steel
1.4301 Chrome Nickel steel V2A
1.5 mm
6 Liter
G 1 1/2
260 mm
1,076 mm
1,800 mm
no
satin finished
water flushed
wall and floor mounting
urinal stand
flat perforated waste
concealed
concealed