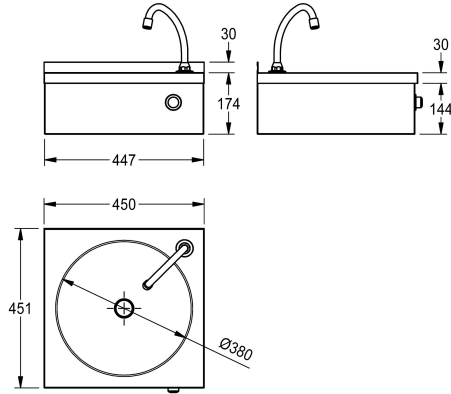


KWC ANIMA

Single washbasin with knee or hip actuation

Modell-Linie: ANIMA | LP20

Washbasins & Washtroughs | Wash basins



KWC-No.

2000100059

Dimensions 450 x 175 x 450 mm (W x H x D)

Single wash basin for wall mounting, stainless steel, surface satin finished, material thickness 1 mm, seamless welded round sink with diameter 380 mm, 35 mm tap ledge, without overflow, 1 1/4" plug waste, waste centric, incl. preassembled water spout, 200 mm high front panel with included self-closing valve for knee- or hip

operations, watertemperature adjustable, includes screws and dowels.

Dimensions 450 x 204 x 451 mm (W x H x D)
Bowl Dimensions 380 x 150 mm (W x H)

Technical Data

splash back height
type of basin
bowl position
bowl - bowl height
bowl finish
bowl - depth
bowl shape
bowl - width
colour
material
material code
material thickness
overall depth
overall height
overall width
overflow
rear upstand
siphon diameter
siphon included
spillway
splash back
surface finish
number of tap holes
tap hole diameter
tap hole position

30 mm
Wash basin
Center
150 mm
satin finished
380 mm
circle
380 mm
no colour
stainless steel
1.4301 Chrome Nickel steel V2A
1 mm
451 mm
204 mm
450 mm
No
No
DN 32
No
No
component of another part
satin finished
1
32 mm
right

KWC ANIMA

Single washbasin with knee or hip actuation

Modell-Linie: ANIMA | LP20

Washbasins & Washtroughs | Wash basins

tap ledge	No
type of mounting	wall mounting
type of waste kit	perforated waste
waste hole position	centre
waste hole projection	225 mm
waste kit included	Yes
waste size	DN 32
waste sleeve included	No

Optional Accessories



ANIMA splash back

2000100338
SB450

Spare Parts



Waste kit

2000103407
EANMX002