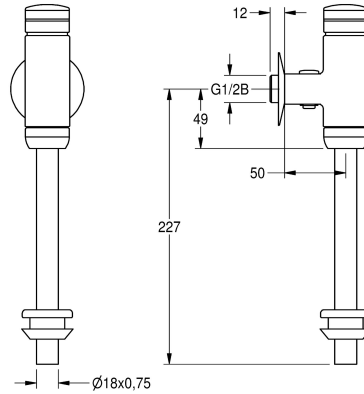


KWC AQUALINE Urinal flush valve

Modell-Linie: AQUALINE | AQRM464
Flushing systems | Self closing urinal flushing system



KWC-No.

2000065995

AQUALINE – urinal flush valve DN 15

2000100071

All-metal construction

AQUALINE urinal flush valve DN 15 for surface installation, flushing quantity and volume flow adjustable, with lockable water quantity

regulator, inlet pipe and connector. All-metal construction polished chromium-plated brass.

Technical Data

calculation flow rate cold wat

0,3 l/s

Flushing volume adjustable

Yes

functional principle

hydraulic self-closing

diameter nominal

DN 15

inlet size

G 1/2 B

material fitting

brass-look

maximum flow pressure

4 bar

maximum flushing flow

0.7 l/s

maximum flush water volume

4 Liter

minimum flow pressure

1 bar

minimum flushing flow

0,3 l/s

minimum flush water volume

2 Liter

protective shutdown

No

sound insulation

2-Screens, monitors etc

surface finish fitting

chromed

type of flushing fitting

urinal flush valve

type of mounting

wall mounting

type of operation

manual operation

water connection

threaded connection (external)

Basic colour

chrome

Optional Accessories

KWC AQUALINE Urinal flush valve

Modell-Linie: AQUALINE | AQRM464
Flushing systems | Self closing urinal flushing system



Flushing pipe

2000101435
AQRM913



Flushing pipe extension

2000101436
AQRM914



Flushing pipe extension

2000101438
AQRM916



Flushing pipe extension

2000101439
AQRM917



Flushing pipe extension

2000101440
AQRM918

Spare Parts



Flushing pipe

2000101434
AQRM912



Functional part

2000104372
ETAPS0001