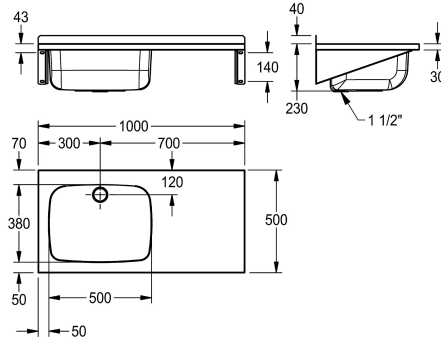


KWC SIRIUS

Utility sink

Modell-Linie: SIRIUS | BS333
Utility sinks | Multi purpose sink



KWC-No.

2000100077
Shelf, left

2000100078
Shelf, right

drainer position

left

right

Multipurpose sink, for wall mounting, stainless steel, surface satin finished, material thickness 1 mm, seamless welded bowl, without overflow, with 1 1/2" plug waste with plastic overflow pipe, drainage back centric, with tap ledge 70 mm, with 40 mm rear upstand, with drainboard right 450 mm, including mounting

material, including integrated brackets.

Dimension 1000 x 270 x 500 mm (W x H x D)
Bowl dimension 500 x 230 x 380 mm (W x H x D)

Technical Data

splash back height

40 mm

bowl position

left

bowl construction

radius corners

bowl - bowl height

230 mm

bowl finish

satin finished

bowl - depth

380 mm

bowl - width

500 mm

brushes

Without brushes

drainer position

right

drainer or storage

storage

grid

No

material

stainless steel

material code

1.4301 Chrome Nickel steel V2A

material thickness

1 mm

number of waste holes

1

outlet size

G 1 1/2 B

overall depth

500 mm

overall height

270 mm

overall width

1,000 mm

overflow

standpipe overflow

rear upstand

No

wash riffle

No

spillway

No



KWC SIRIUS

Utility sink

Modell-Linie: SIRIUS | BS333

Utility sinks | Multi purpose sink

splash back	No
sump	No
sump basket	No
surface finish	satin finished
tap ledge	Yes
type of mounting	wall mounting
type of utility sink	multi purpose sink
type of waste kit	standpipe strainer
number of wash places	1
waste hole position	centre back
waste hole projection	120 mm
waste kit included	Yes
waste size	DN 40