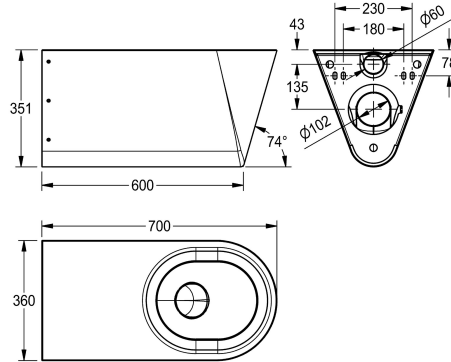


## KWC CAMPUS Wall hung WC pan barrier-free

Modell-Linie: **CAMPUS | CMPX594**  
WCs and urinals | WCs



### KWC-No.

**2000100147**  
Without toilet seat

**2000100148**  
With 2 toilet seat pads

**3600000652**  
With black toilet seat

**3600000653**  
With grey toilet seat

**3600000654**  
With white toilet seat

### type of toilet seat

no seat

synthetic seat pad

synthetic hinged seat with lid

synthetic hinged seat with lid

synthetic hinged seat with lid

Wall hung WC pan for disabled, stainless steel, surface satin finished, material thickness 1.5 mm, flushing certificated to EN 997, concealed flushing rim with min. 4 liter flushing capacity, with a shrouded 100 mm diameter horizontal 'P' trap outlet, pressed seat area tapered towards centre, all edges curved, fixing with included

mounting plate conform to EN 33, including safety screws.

Without seat  
Dimensions 360 x 351 x 700 mm (W x H x D)

### Technical Data

barrier-free

inlet size

material

material code

material thickness

minimum flushing capacity

outlet size

overall depth

overall height

overall width

surface finish

type of mounting

type of toilet seat

type of WC

yes

DN 55

stainless steel

1.4301 Chrome Nickel steel V2A

1.5 mm

4 Liter

DN 100

700 mm

351 mm

360 mm

satin finished

wall mounting

no seat

wall hung