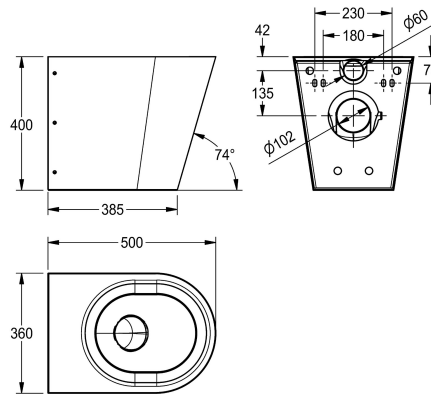


## KWC CAMPUS

Wall hung WC pan with shroud to the floor

Modell-Linie: **CAMPUS | CMPX597**

WCs and urinals | WCs



### KWC-No.

#### 2000100153

Version for installation from the front, with mounting plate and anti-theft screw fixings

#### 2000100154

With 2 toilet seat pads

#### 3600000655

With black toilet seat

#### 3600000656

With grey toilet seat

#### 3600000657

With white toilet seat

### type of toilet seat

no seat

synthetic seat pad

synthetic hinged seat with lid

synthetic hinged seat with lid

synthetic hinged seat with lid

Floor standing WC pan with shroud to the floor, stainless steel, surface satin finished, material thickness 1,5 mm, flushing certificated to EN 997, concealed flushing rim with min. 4 litre flushing capacity, with a shrouded 100 mm diameter horizontal 'P' trap outlet, pressed seat area tapered towards centre, all edges

curved, fixing with included mounting plate conform to EN 33, including safety screws. 4 litre flush EN 997 approved.

Without seat

Dimensions 360 x 400 x 500 mm (W x H x D)

### Technical Data

inlet size
material
material code
material thickness
minimum flushing capacity
outlet size
overall depth
overall height
overall width
surface finish
type of mounting
type of toilet seat
type of WC

DN 55
stainless steel
1.4301 Chrome Nickel steel V2A
1.5 mm
4 Liter
DN 100
500 mm
400 mm
360 mm
satin finished
wall mounting
no seat
wall hung