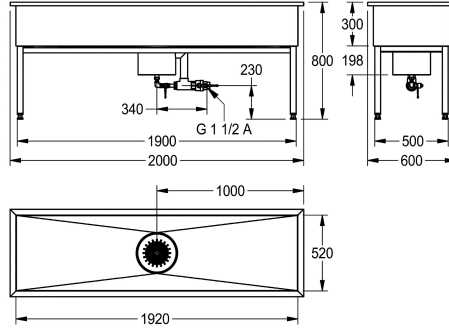


KWC SIRIUS Workroom sink

Modell-Linie: SIRIUS | SIRX756
Utility sinks | Multi purpose sink



KWC-No.

2000100360

Dimensions 1000 x 800 x 600 mm (W x H x D) Washbasin
dimensions 920 x 300 x 520 mm (W x H x D)

2000100361

Dimensions 1500 x 800 x 600 mm (W x H x D) Washbasin
dimensions 1420 x 300 x 520 mm (W x H x D)

2000100362

Dimensions 2000 x 800 x 600 mm (W x H x D) Washbasin
dimensions 1920 x 300 x 520 mm (W x H x D)

overall width

1,000 mm

1,500 mm

2,000 mm

Workroom sink, stainless steel, surface satin finished, material thickness 1.2 mm, base drainage hole with waste body and sludge trap bucket in stainless steel welded on, overflow DN 40 and outlet spigot DN 15, waste set with ball stop valve DN 40 and DN 15,

with stainless steel square tube base frame, height adjustable.

Dimensions 2000 x 800 x 600 mm (W x H x D)
Bowl Dimensions 1920 x 300 x 520 mm (W x H x D)

Technical Data

bowl position
bowl construction
bowl - bowl height
bowl finish
bowl - depth
bowl - width
drainer or storage
grid
material
material code
material thickness
number of waste holes
outlet size
overall depth
overall height
overall width
overflow
rear upstand
wash riffle
splash back
sump

Center
square corner
300 mm
satin finished
520 mm
1,920 mm
No
No
stainless steel
1.4301 Chrome Nickel steel V2A
1.2 mm
1
G 1 1/2
600 mm
800 mm
2,000 mm
Yes
No
No
No
Yes



KWC SIRIUS Workroom sink

Modell-Linie: SIRIUS | SIRX756
Utility sinks | Multi purpose sink

sump basket	included
sump depth	198 mm
sump diameter	254 mm
surface finish	satın finished
tap ledge	No
type of mounting	no mounting
type of utility sink	cleaner sink
type of waste kit	flat perforated waste
upper edge of basin height	800 mm
waste hole position	centre
waste hole projection	300 mm
waste kit included	Yes
waste size	DN 40