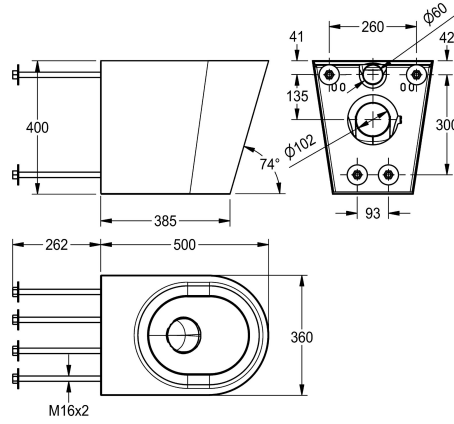


KWC HEAVY-DUTY Floor standing WC pan

Modell-Linie: HEAVYDUTY | HDTX597
WCs and urinals | WCs



KWC-No.

2000100729

Dimensions 360 x 400 x 500 mm (W x H x D)

Campus floor standing WC pan for fitting through duct wall, manufactured from grade 1.4301 (304) stainless steel, material thickness 1,5 mm for the pan and shroud - satin polish finish. The WC incorporates a stainless steel P trap 102 mm o/d. A separate mounting plate and 4 bolts are provided for mounting the WC through a duct wall. The Campus WC has a pressed seating area that does not require a separate seat in vandal prone installations.

However, a seat and lid can be fitted. Approval: Complies with BS EN 997 for 4.5 litre flushing. Also complies with the Australian and German test standards.

Without seat and lid
Dimensions 360 x 400 x 500 mm (W x H x D)

Technical Data

inlet size
material
material code
material thickness
minimum flushing capacity
outlet size
overall depth
overall height
overall width
surface finish
type of mounting
type of toilet seat
type of WC

DN 55
stainless steel
1.4301 Chrome Nickel steel V2A
1.5 mm
4 Liter
DN 100
500 mm
400 mm
360 mm
satin finished
bolt fix with duct wall
no seat
wall hung

