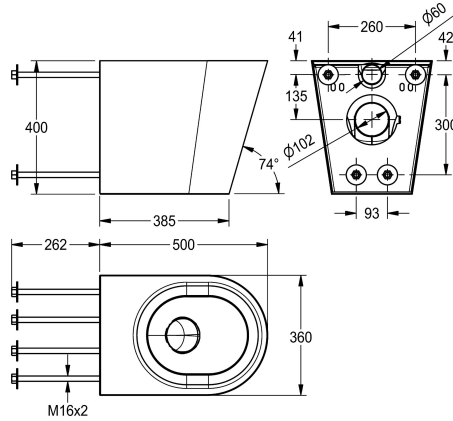


KWC HEAVY-DUTY Floor standing WC pan

Modell-Linie: HEAVYDUTY | HDTX597
WC och urinoarer | WC



KWC-No.

2000100729

Dimensions 360 x 400 x 500 mm (W x H x D)

Campus floor standing WC pan for fitting through duct wall, manufactured from grade 1.4301 (304) stainless steel, material thickness 1,5 mm for the pan and shroud - satin polish finish. The WC incorporates a stainless steel P trap 102 mm o/d. A separate mounting plate and 4 bolts are provided for mounting the WC through a duct wall. The Campus WC has a pressed seating area that does not require a separate seat in vandal prone installations.

However, a seat and lid can be fitted. Approval: Complies with BS EN 997 for 4.5 litre flushing. Also complies with the Australian and German test standards.

Without seat and lid
Dimensions 360 x 400 x 500 mm (W x H x D)

Technical Data

Inbyggnadsmått
Material
Materialkod
Material tjocklek
Minsta spalkapacitet
Utloppets storlek
Övergripande djup
Total höjd
Total bredd
Ytfinish
Typ av montering
Typ av toaletsits
Typ av WC

DN 55
Rostfritt stål
1.4301
1.5 mm
4 Liter
DN 100
500 mm
400 mm
360 mm
Satin yta
Bult fixering med rörgenomföring
NO-SEAT
Vägghängd

