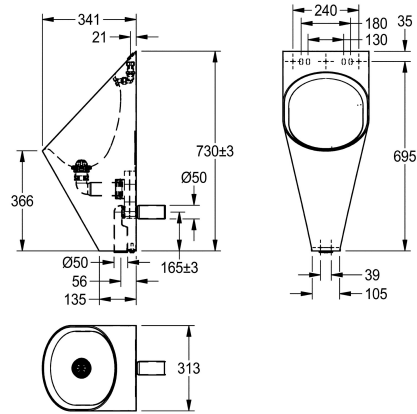


KWC CAMPUS

Urinal for wall mounted flush valves

Modell-Linie: **CAMPUS | CMPX538E**

WCs and urinals | Single urinal



KWC-No.

2000100769

Wall urinal made of chromium nickel steel Dimensions 313 x 733 x 341 mm (W x H x D)

Single urinal for wall mounting, stainless steel, surface satin finished, material thickness 1.2 mm, oval bowl, stainless steel spreader 1/2", hidden horizontal outlet towards wall, mounting and fixing conform to EN 80, hidden screws, included trap DN 50, included mounting bracket and domed waste.

With stainless steel spreader 1/2", for exposed cistern and waste pipework.

Dimensions 313 x 733 x 341 mm (W x H x D)

Technical Data

inlet size
material
material code
material thickness
outlet size
overall depth
overall height
overall width
siphon included
surface finish
type of flushing
type of mounting
type of urinal
type of waste kit
water inlet
water outlet

G 1/2 B
stainless steel
1.4301 Chrome Nickel steel V2A
1.2 mm
DN 50
341 mm
733 mm
313 mm
yes
satin finished
water flushed
wall mounting
single urinal
domed waste
exposed
concealed

Mandatory Accessories

KWC CAMPUS

Urinal for wall mounted flush valves

Modell-Linie: **CAMPUS | CMPX538E**

WCs and urinals | Single urinal



AQUALINE urinal flush valve

2000065995
AQRM460



AQUALINE urinal flush valve

2000100071
AQRM464



Flushing pipe

2000101435
AQRM913

Spare Parts



Wall mounting plate

2000103374
ECMPX538

Domed waste

2030028476
ECMPX003N

Spreader

2000103382
ECMPX013

Siphon DN50

2000103386
ECMPX008