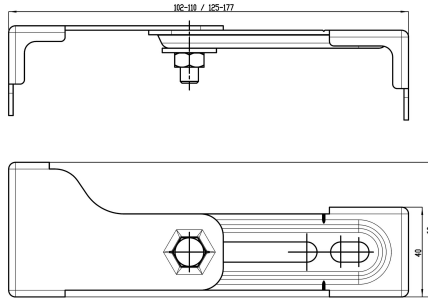


## KWC AQUAFIX Wall bracket

**Modell-Linie: AQUAFIX | ZCMPX140**  
Installation frames | Complementary parts pre-wall-installation



### KWC-No.

#### 2000100867

AQUAFIX wall bracket set for pre-wall installation packaging unit:  
2 items.

AQUAFIX wall brackets for pre-wall installation, for fastening  
AQUAFIX installation elements on masonry or in front of the single

plank wall, continuously adjustable in depth, for individual mounting,  
galvanized steel, fixing material included, packing unit 2 pieces.

### Technical Data

overall depth
overall height
overall width
quantity
quantity uom

177 mm
40 mm
60 mm
2
pieces