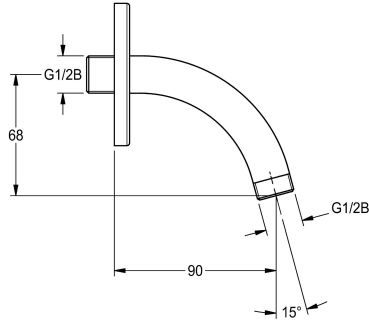


## KWC Wall arm

Modell-Linie: **SHOWER-ACCESSORY** | ZAQUA033  
Showers | Shower heads



### KWC-No.

**2000100914**

Wall arm with fixed wall flange, high-polished chrome-plated brass

Wall arm with fixed wall flange, polished chromium-plated brass,  
connections G 1/2 B on both sides, projection 85 mm.

### Technical Data

diameter nominal

DN 15

surface material

chrome

type

cantilever

type of connection

wall connection