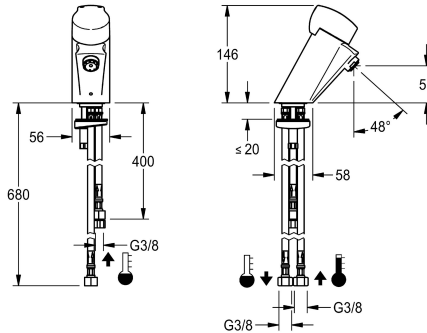


## KWC

### AQUAMIX ZERO self-closing pillar mixer for hot water heaters

Modell-Linie: AQUAMIX-ZERO | AQRM176

Taps | Self closing taps



#### KWC-No.

**2000101062**

with grip cap

AQUAMIX ZERO self-closing single mixer DN 15 as pillar mixer, with open low-level domestic hot water heaters, for open low-level domestic hot water heaters, flow time adjustable, polished chromium-plated brass, with grip cap or lever cap in metal

construction.

With grip cap

#### Technical Data

with backflow preventer

yes

calculation flow rate cold wat

0.07 l/s

depressurised

yes

with filter

yes

adjustable flow time

yes

functional principle

hydraulic self-closing

hygiene flushing

no

diameter nominal

DN 15

inlet size

G 3/8

Locking mechanism

Top section, non-ceramic

material fitting

brass

maximum flow time

15 Seconds

minimum flow pressure

1 bar

minimum flow time

1 Seconds

type of mixing

yes

Pop-up waste set

no

with rosettes/cover plate

no

protective shutdown

no

sound insulation

no

Spout

fixed

spout projection

90 mm

surface finish fitting

chromed

surface treatment fitting

polished

temperature limit

yes

thermal disinfection

no

type of mounting

tap hole

## KWC

AQUAMIX ZERO self-closing pillar mixer for hot water heaters

Modell-Linie: AQUAMIX-ZERO | AQRM176

Taps | Self closing taps

type of operation

manual operation

type of tap

pillar tap

volume flow rate at 3 bar

0.08 l/s

water connection

hose (gland nut)

Accent colour

none

Basic colour

chrome-look (glossy)

### Optional Accessories



#### Unpressurised small storage tank

**2000109145**

ACXM1001

### Spare Parts



#### Functional part

**2000104372**

ETAPS0001



#### Unpressurised small storage tank

**2000109145**

ACXM1001