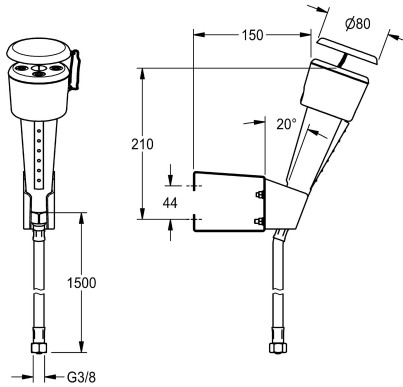


## KWC

Eye- and face-wash fountain for wall mounting

Modell-Linie: EMERGENCYSHOWERS | FAID101  
Emergency showers | Eye cleaning tap



### KWC-No.

**2000101101**

Eye-wash and face-wash fountain for wall mounting with hand shower and hose with a stainless steel cover and wall-mounted holder. Meets the requirements of EN 15154-2 and ANSI Z358.1-

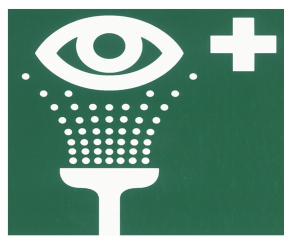
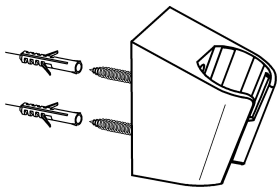
2014. Green plastic hand shower, screw wall-mounted holder in plastic white, dust protection cap with user instructions.

### Technical Data

drip pan
diameter nominal
type of fitting
type of operation

No
DN 15
wall installation
trigger button

### Spare Parts



KWC

### Wall mounting

**2000103189**  
FAID905

### Safety label eye-washing facility

**2000101153**  
FAID903