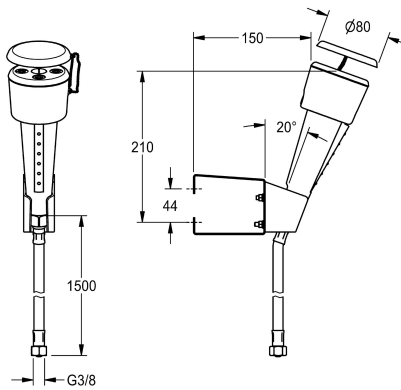


KWC

Eye- and face-wash fountain for wall mounting

Modell-Linie: EMERGENCYSHOWERS | FAID101
Emergency showers | Eye cleaning tap



KWC-No.

2000101101

Eye-wash and face-wash fountain for wall mounting with hand shower and hose with a stainless steel cover and wall-mounted holder. Meets the requirements of EN 15154-2 and ANSI Z358.1-

2014. Green plastic hand shower, screw wall-mounted holder in plastic white, dust protection cap with user instructions.

Technical Data

drip pan

diameter nominal

type of fitting

type of operation

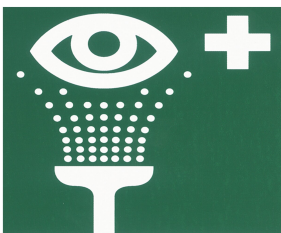
no

DN 15

wall installation

trigger button

Spare Parts



KWC

Safety label eye-washing facility

2000101153

FAID903