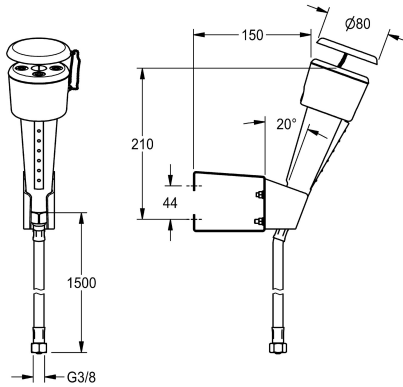


KWC

Eye- and face-wash fountain for wall mounting

Modell-Linie: EMERGENCYSHOWERS | FAID101

Nödduschar | Kran för rengöring av ögon



KWC-No.

2000101101

Eye-wash and face-wash fountain for wall mounting with hand shower and hose with a stainless steel cover and wall-mounted holder. Meets the requirements of EN 15154-2 and ANSI Z358.1-

2014. Green plastic hand shower, screw wall-mounted holder in plastic white, dust protection cap with user instructions.

Technical Data

ATT-WS-DRIPPAN

Nominell diameter

Typ av passande del

Typ av operation

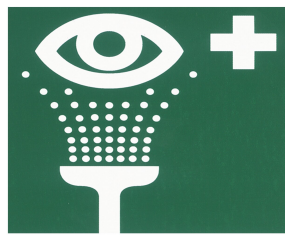
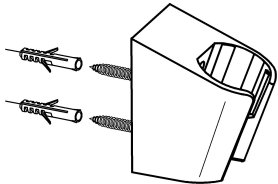
Nej

DN 15

WALL-INSTALLATION

Avtryckar knapp

Reservdelar



KWC

Wall mounting

2000103189

FAID905

Safety label eye-washing facility

2000101153

FAID903