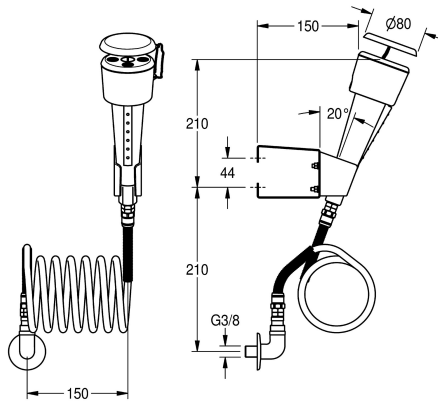


## KWC

Eye- and face-wash fountain for mounting on walls or laboratory furniture

Modell-Linie: EMERGENCYSHOWERS | FAID103  
Emergency showers | Eye cleaning tap



### KWC-No.

**2000101102**

Eye-wash and face-wash fountain with green plastic hand shower and hose with a stainless steel cover. Meets the requirements of EN 15154, Part -2. Green plastic hand shower, dust protection cap

with user instructions.

For mounting on walls or laboratory furniture, with spiral hose

### Technical Data

drip pan

No

diameter nominal

DN 15

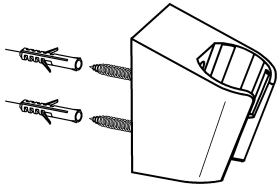
type of fitting

on laboratory furniture

type of operation

trigger button

### Spare Parts



KWC

### Wall mounting

**2000103189**  
FAID905

### Safety label eye-washing facility

**2000101153**  
FAID903