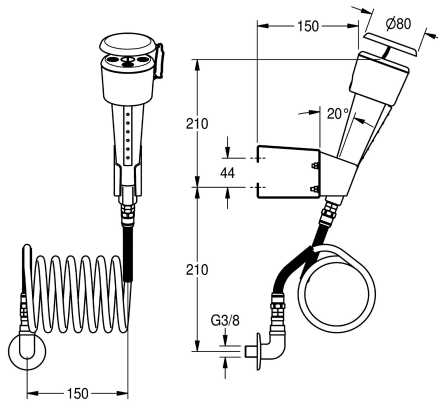


## KWC

Eye- and face-wash fountain for mounting on walls or laboratory furniture

Modell-Linie: EMERGENCYSHOWERS | FAID103  
Emergency showers | Eye cleaning tap



### KWC-No.

2000101102

Eye-wash and face-wash fountain with green plastic hand shower and hose with a stainless steel cover. Meets the requirements of EN 15154, Part -2. Green plastic hand shower, dust protection cap

with user instructions.

For mounting on walls or laboratory furniture, with spiral hose

### Technical Data

drip pan

no

diameter nominal

DN 15

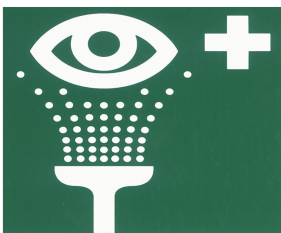
type of fitting

on laboratory furniture

type of operation

trigger button

### Spare Parts



KWC

### Safety label eye-washing facility

2000101153

FAID903