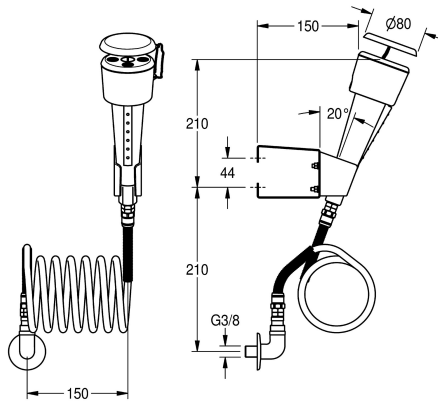


KWC

Eye- and face-wash fountain for mounting on walls or laboratory furniture

Modell-Linie: EMERGENCYSHOWERS | FAID103
Nödduschar | Kran för rengöring av ögon



KWC-No.

2000101102

Eye-wash and face-wash fountain with green plastic hand shower and hose with a stainless steel cover. Meets the requirements of EN 15154, Part -2. Green plastic hand shower, dust protection cap

with user instructions.

For mounting on walls or laboratory furniture, with spiral hose

Technical Data

ATT-WS-DRIPPAN

Nominell diameter

Typ av passande del

Typ av operation

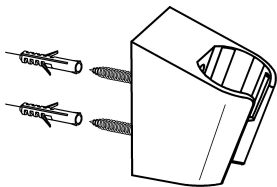
Nej

DN 15

LABORATORY-FURNITURE

Avtryckar knapp

Reservdelar



KWC

Wall mounting

2000103189

FAID905

Safety label eye-washing facility

2000101153

FAID903